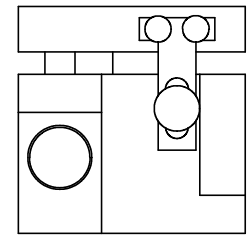
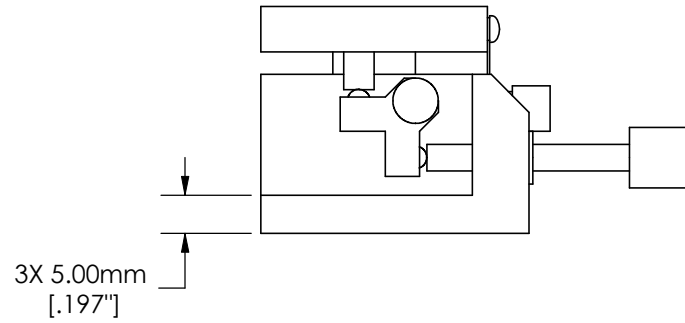
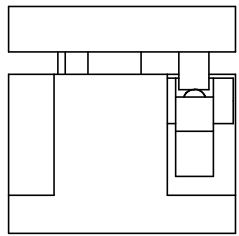


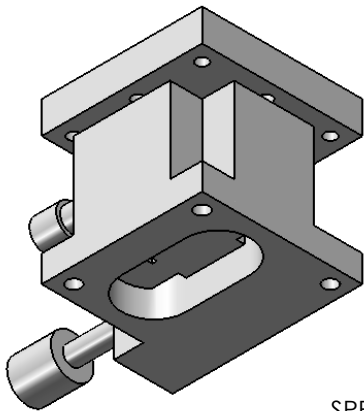
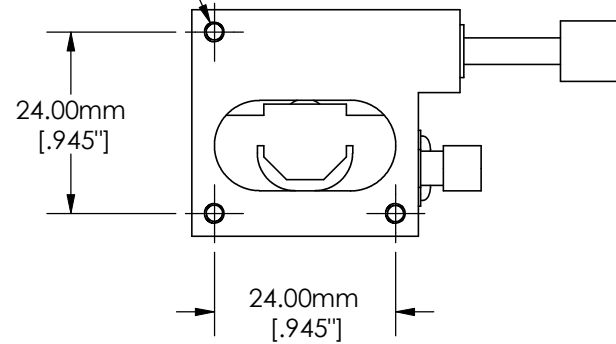
SPECIFICATIONS SUBJECT TO CHANGE WITHOUT NOTICE  
 DIMENSIONS ARE FOR REFERENCE ONLY  
 DIMENSIONS ARE IN mm [INCHES]



|        |                       |              |         |
|--------|-----------------------|--------------|---------|
| TITLE  | 30mm, English Z-Stage |              |         |
| DWG NO | 66494                 | SHEET 1 OF 2 | REV 000 |



3X  $\varnothing$ 2.60mm THRU HOLE  
[.102"]



SPECIFICATIONS SUBJECT TO CHANGE WITHOUT NOTICE  
DIMENSIONS ARE FOR REFERENCE ONLY  
DIMENSIONS ARE IN mm [INCHES]



Edmund Optics®

|        |                       |              |         |
|--------|-----------------------|--------------|---------|
| TITLE  | 30mm, English Z-Stage |              |         |
| DWG NO | 66494                 | SHEET 2 OF 2 | REV 000 |

Enable 3D View