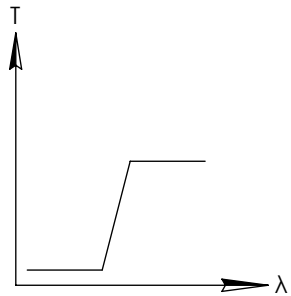
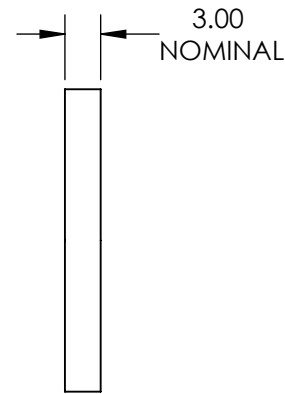
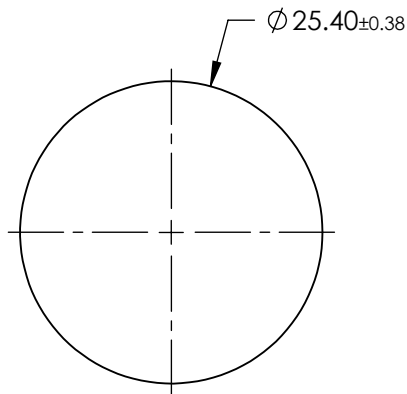
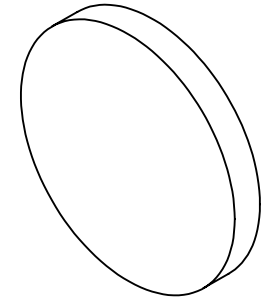


**FOR INFORMATION ONLY:  
DO NOT MANUFACTURE  
PARTS TO THIS DRAWING**



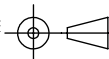
LONGPASS FILTER

SPECIFICATIONS SUBJECT TO CHANGE WITHOUT NOTICE  
DIMENSIONS ARE FOR REFERENCE ONLY

REV. 001	S1	S2
SHAPE	PLANO	PLANO
SPECTRAL TRANSMITTANCE $t_p(\%)$	94	94
PASSBAND LIMIT $1 \lambda_{p1}$ (nm)	690	690
CUT-OFF POSITION $\lambda_c$ (nm)	$610 \pm 6$	$610 \pm 6$
STOPBAND LIMIT $\lambda_s$ (nm)	530	530
WAVELENGTH	VIS	VIS
BEVEL	PROTECTIVE AS NEEDED	PROTECTIVE AS NEEDED



THIRD ANGLE  
PROJECTION



TITLE

$\varnothing 25.4\text{mm}$ , SCHOTT RG-610 LONGPASS FILTER

ALL DIMS IN

mm

DWG NO

46429

SHEET  
1 OF 1