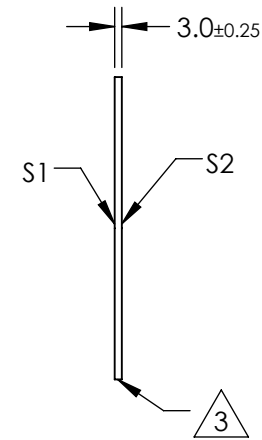
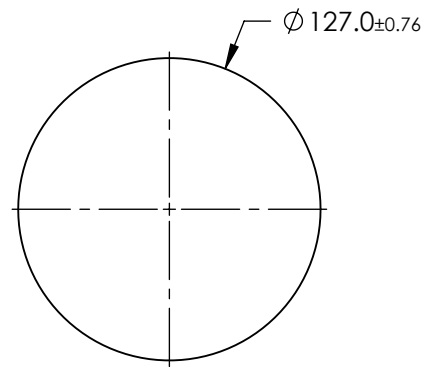
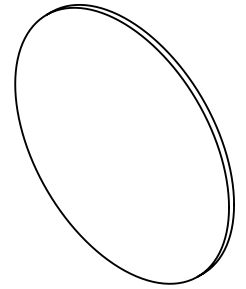


NOTES:

1. SUBSTRATE:
FLOAT GLASS
2. ANTI REFLECTION SURFACE TREATMENT (APPLY ACROSS CLEAR APERTURE)
AOI: 0°
S1 & S2: Ravg ≤0.5% @ 425 - 700nm

3.  GROUND EDGES

4. ROHS COMPLIANT



**FOR INFORMATION ONLY:
DO NOT MANUFACTURE
PARTS TO THIS DRAWING**

SPECIFICATIONS SUBJECT TO CHANGE WITHOUT NOTICE
DIMENSIONS ARE FOR REFERENCE ONLY

	S1	S2
SHAPE	PLANO	PLANO
SURFACE QUALITY	80-50	80-50
CLEAR APERTURE	≥90%	≥90%
BEVEL	PROTECTIVE AS NEEDED	PROTECTIVE AS NEEDED

THIRD ANGLE PROJECTION 

ALL DIMS IN mm

 **Edmund Optics®**

TITLE $\phi 127\text{mm} \times 3\text{mm}$ HIGH EFFICIENCY WINDOW

DWG NO 48858

SHEET
1 OF 1