

NOTES:

1. SUBSTRATE

FUSED SILICA

2. SURFACE S2 TO BE PARALLEL WITH S1 WITHIN < 3 ARCMIN

3. COATING (APPLY ACROSS CLEAR APERTURE)

S1: Laser Mirror (355nm)
R(ABS) >99.8% @ 355nm @ 0-45° AOI

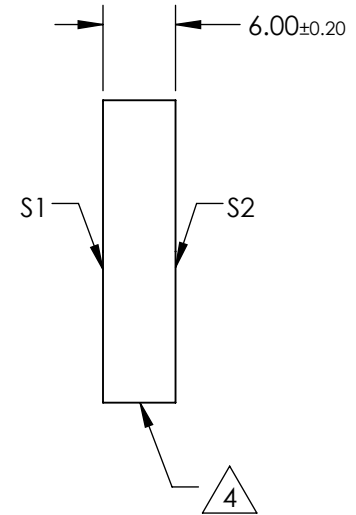
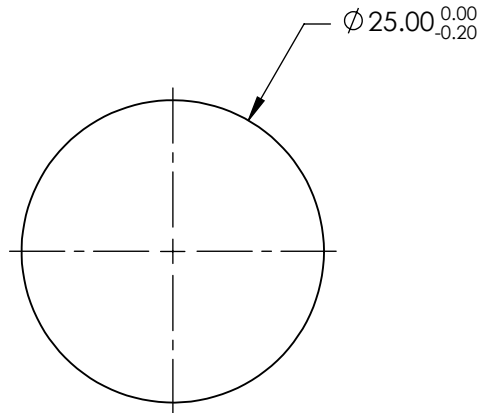
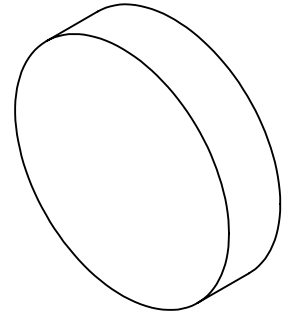
DAMAGE THRESHOLD,
PULSED: 5.0 J/cm² @ 355nm, 20ns, 20Hz

S2: NONE

4. FINE GROUND SURFACE

5. POWER, IRREGULARITY, SURFACE QUALITY, AND COATING SPECIFICATIONS APPLY ACROSS CLEAR APERTURE

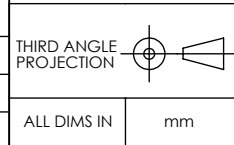
6. RoHS COMPLIANT



**FOR INFORMATION ONLY:
DO NOT MANUFACTURE
PARTS TO THIS DRAWING**

SPECIFICATIONS SUBJECT TO CHANGE WITHOUT NOTICE
DIMENSIONS ARE FOR REFERENCE ONLY

	S1	S2
SHAPE	PLANO	PLANO
SURFACE FLATNESS	$\lambda/10$	N/A
SURFACE QUALITY	10-5	FINE GROUND
CLEAR APERTURE	Ø22.5	N/A
BEVEL	PROTECTIVE AS NEEDED	PROTECTIVE AS NEEDED



EO® Edmund Optics®

TITLE	Ø25mm, 355nm, 0 - 45°, ND:YAG LASER LINE MIRROR		
DWG NO	88527	SHEET 1 OF 1	