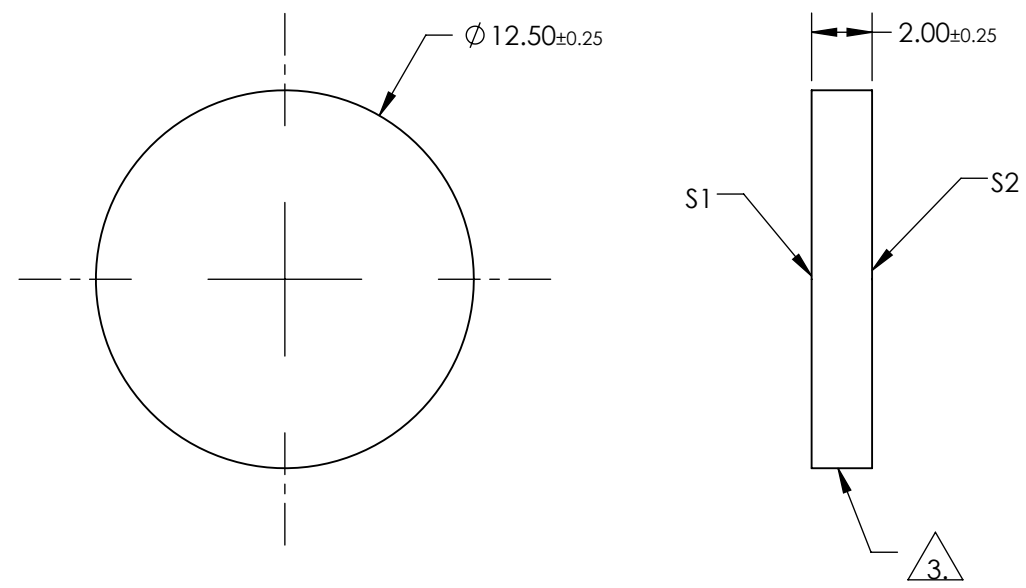
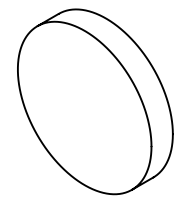


NOTES:

1. SUBSTRATE:
BOROFLOAT®
2. COATING SPECIFICATION:
S1: Enhanced Aluminum (450-650nm)
R(AVG) >95% @ 450 - 650nm
3. FINE GROUND SURFACE
4. ROHS COMPLIANT



**FOR INFORMATION ONLY:
DO NOT MANUFACTURE
PARTS TO THIS DRAWING**

SPECIFICATIONS SUBJECT TO CHANGE WITHOUT NOTICE
DIMENSIONS ARE FOR REFERENCE ONLY

	S1	S2				
SHAPE	PLANO	PLANO				
SURFACE QUALITY	60-40	COMMERCIAL POLISH	THIRD ANGLE PROJECTION	TITLE	12.5mm Dia. Enhanced Aluminum, $\lambda/4$ Mirror	
CLEAR APERTURE	$\lambda/4$	N/A		DWG NO	45601	SHEET 1 OF 1
BEVEL	PROTECTIVE AS NEEDED	PROTECTIVE AS NEEDED		ALL DIMS IN	mm	