

NOTES:

1. SUBSTRATE MATERIAL:
N-BK7

2. COATING (APPLY ACROSS CLEAR APERTURE)

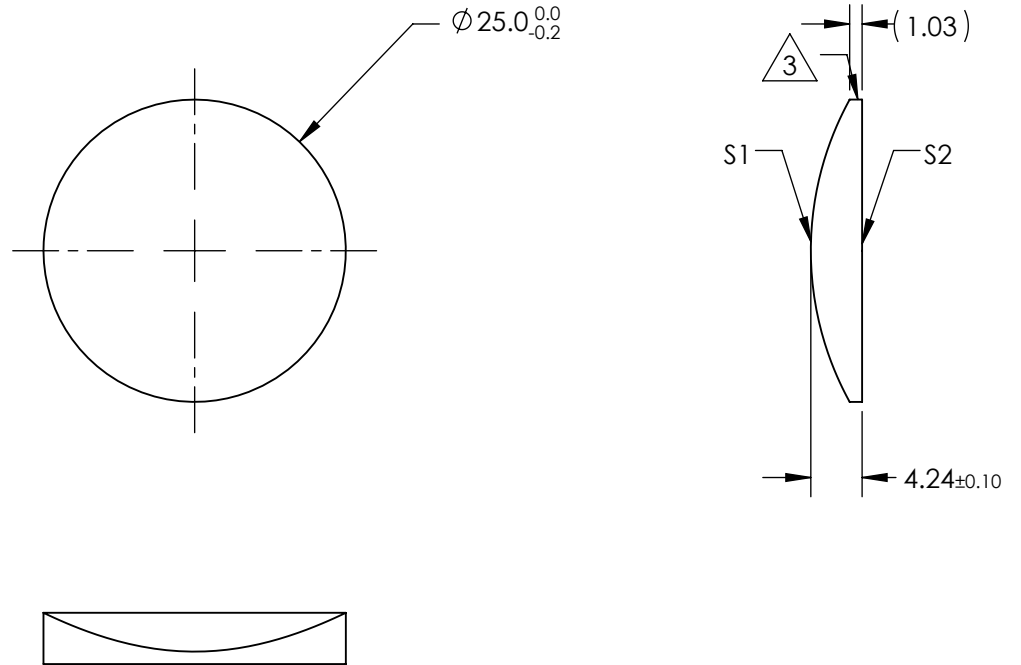
S1 & S2:
LASER V-COAT

R(abs) <0.25% @ 532nm
R(avg) <1.5% @ 495 - 570nm

3. FINE GROUND SURFACE


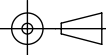
4. POWER, IRREGULARITY, AND SURFACE QUALITY
SPECIFICATIONS APPLY ACROSS CLEAR APERTURE

5. RoHS COMPLIANT



**FOR INFORMATION ONLY:
DO NOT MANUFACTURE
PARTS TO THIS DRAWING**

SPECIFICATIONS SUBJECT TO CHANGE WITHOUT NOTICE
DIMENSIONS ARE FOR REFERENCE ONLY

REV. A	S1	S2	EFL	50±3%	 Edmund Optics®	
SHAPE	CONVEX	PLANO	BFL	(47.2)		
RADIUS	25.93	∞	THIRD ANGLE PROJECTION 		DWG NO	33228
SURFACE QUALITY	60-40	60-40	ALL DIMS IN	mm	SHEET 1 OF 1	
CLEAR APERTURE	∅ 24.00	∅ 24.00				
COATING APERTURE	∅ 24.00	∅ 24.00				
BEVEL	PROTECTED AS NEEDED	PROTECTED AS NEEDED				