

TECHSPEC® 0.50X SilverTL™ Telecentric Lens



0.50X Magnification



Stock **#63-074** **20+ In Stock**

- 1 + €1.125⁰⁰

ADD TO CART

Volume Pricing

Qty 1+	€1.125,00 each
Need More?	Request Quote

ⓘ Prices shown are exclusive of VAT/local taxes

Product Downloads

General

SilverTL™ Series **Product Family:**

Stock No. of Mounting Clamp:
[#56-870](#) Sold Separately

Telecentric Lens **Type:**

Physical & Mechanical Properties

Variable Iris Option:

153.00 Length (mm):

153.00 Length excluding Threads (mm):

40.00 Maximum Diameter (mm):

226 Weight (g):

Anodized Aluminum Construction:

Optical Properties

14.4mm Horizontal Field of View, 1/1.8" Sensor:

12.8mm Horizontal Field of View, 1/2" Sensor:

9.6mm Horizontal Field of View, 1/3" Sensor:

9.00 Maximum Image Circle (mm):

0.041 Numerical Aperture NA, Object Side:

±3 Working Distance Tolerance (mm):

>40% @ 40 lp/mm Resolution, Image Space MTF @ f/10:

6 (5) Number of Elements (Groups):

<0.012 Typical Telecentricity @ 588nm (°):

<0.200 Typical Distortion @ 588nm (%):

0.5X Primary Magnification PMAG:

0.50 Telecentric Lens Magnification:

120.00 Working Distance (mm):

14.4 x 10.8 FOV @ Max Sensor Format, H x V (mm):

f/6 - f/22 Aperture (f/#):

425 - 675nm BBAR Coating:

±2.1 at f/10 (20% @ 20 lp/mm) Depth of Field (mm):

0.5X Magnification:

VS Lens Wavelength Range:

Sensor

1/1.8" Maximum Sensor Format:

2.74 Pixel Size (µm):

Threading & Mounting

M37 x 0.75 (Female) Filter Thread:

C-Mount Mount:

Regulatory Compliance

[Compliant](#) RoHS 2015:

[View](#) Certificate of Conformance:

REACH 241:

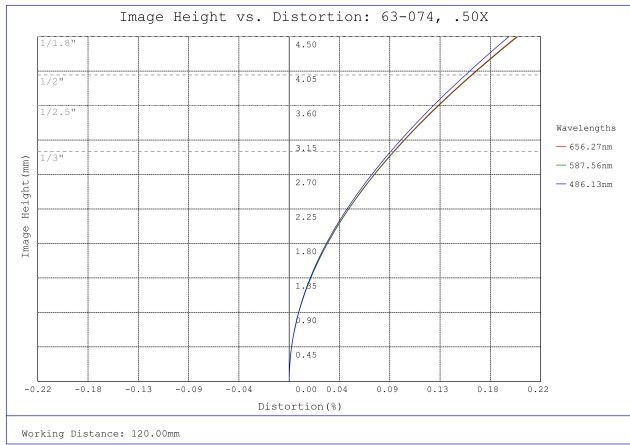
Product Details

- High Resolution f/6 Bi-Telecentric Lens with Inline Illumination Options
- Up to 7.5 MegaPixels, 2.8 μ m Pixel Size Sensors
- Up to 2/3", C-Mount Telecentric Lens
- Magnification from 0.16X to 4X

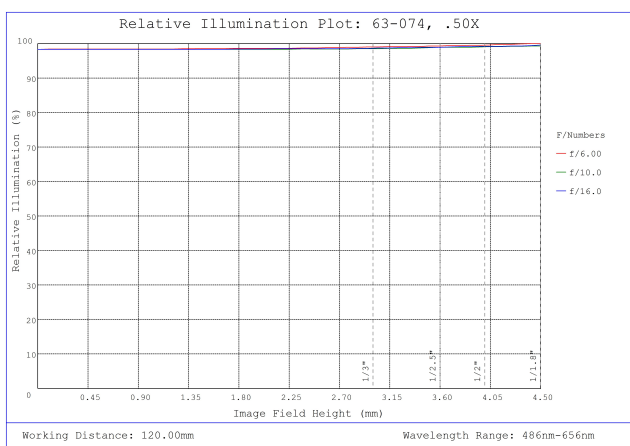
TECHSPEC® SilverTL™ Telecentric Lenses are ideal for both on-line and off-line machine vision production applications that require accurate measurements. These lenses combine high-quality optics with a simplified non-focusing mechanical design and an adjustable iris with a locking set screw. These lenses are designed for metrology and gauging applications. TECHSPEC® SilverTL™ Telecentric Lenses also offer inline illumination options for maximum versatility. Each lens also features a standard front filter thread for use with [color filters](#), [polarizers](#), [protective windows](#), and [illumination adapters](#) for LED or fiber-optic ring lights.

Note: Mounting brackets are available that fit the 30mm diameter mounting surface.

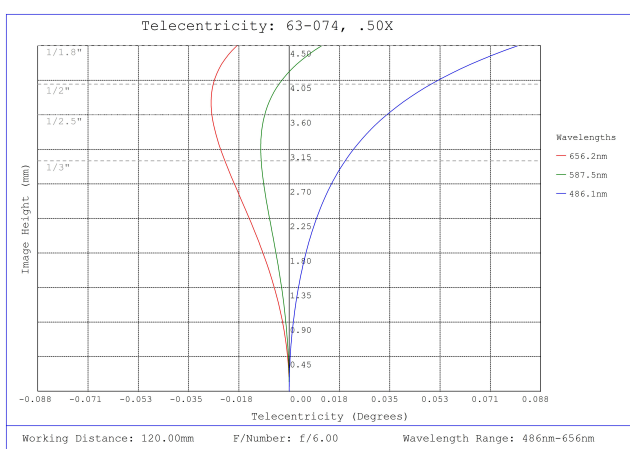
Technical Information



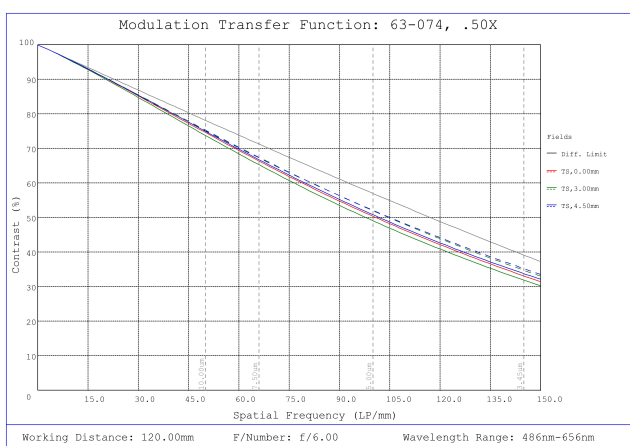
#63-074, 0.50X SilverTL™ Telecentric Lens, Distortion Plot



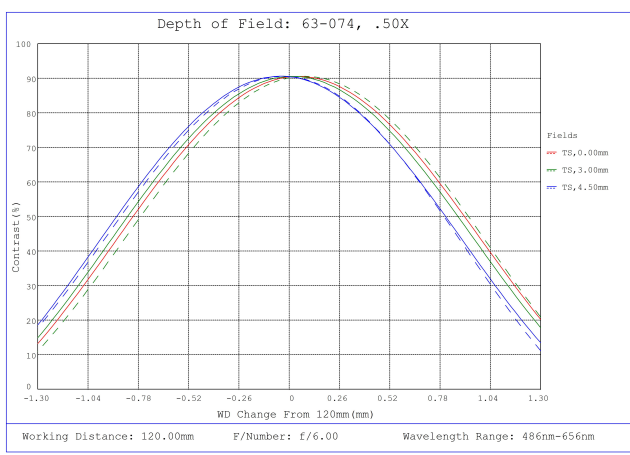
#63-074, 0.50X SilverTL™ Telecentric Lens, Relative Illumination Plot



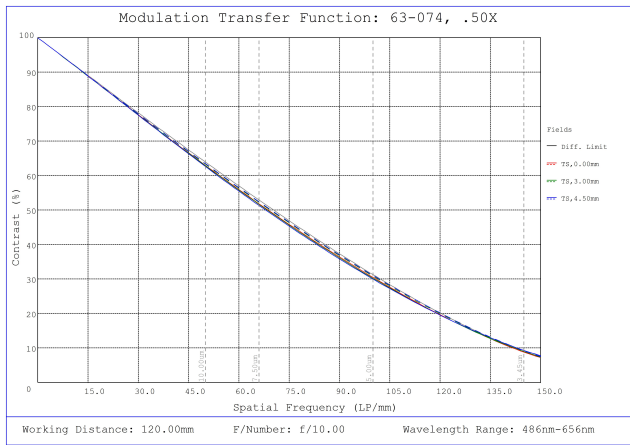
#63-074, 0.50X SilverTL™ Telecentric Lens, Telecentricity Plot



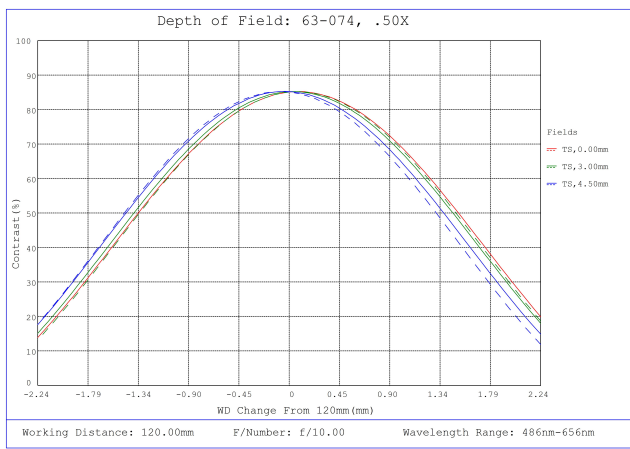
#63-074, 0.50X SilverTL™ Telecentric Lens, Modulated Transfer Function (MTF) Plot, 120mm Working Distance, f6



#63-074, 0.50X SilverTL™ Telecentric Lens, Depth of Field Plot, 120mm Working Distance, f6

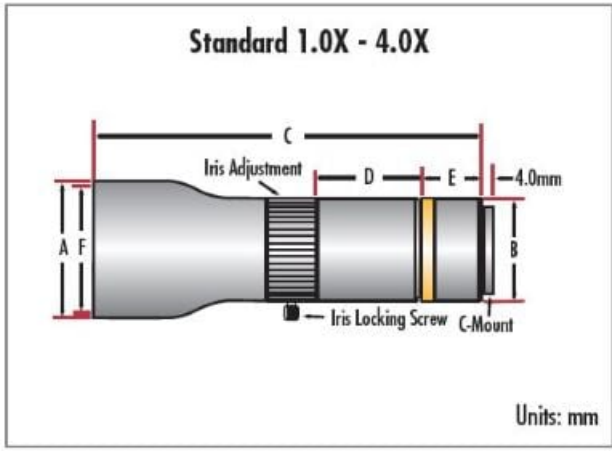
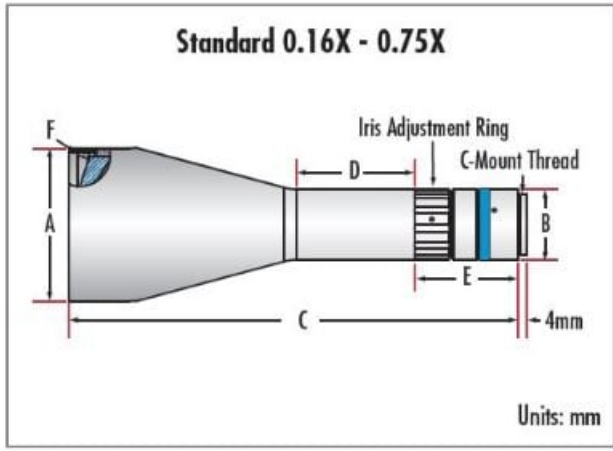


#63-074, 0.50X SilverTL™ Telecentric Lens, Modulated Transfer Function (MTF) Plot, 120mm Working Distance, f10



#63-074, 0.50X SilverTL™ Telecentric Lens, Depth of Field Plot, 120mm Working Distance, f10

Stock Number	Primary Mag.	Max Diameter A	Mbunting Diameter B	Length C	Mbunting Length D	Mounting Offset E	Filter Thread F
#56-675	0.16X	65mm	30mm	191mm	50mm	43mm	M62 x 0.75
#63-073	0.20X	60mm	30mm	188mm	42mm	45mm	M58 x 0.75
#56-676	0.25X	48mm	30mm	158mm	49mm	44mm	M46 x 0.75
#58-428	0.30X	46mm	30mm	158mm	60mm	43mm	M43 x 0.75
#56-677	0.40X	45mm	30mm	159mm	67mm	33mm	M43 x 0.75
#63-074	0.50X	40mm	30mm	153mm	42mm	68mm	M37 x 0.75
#88-344 (In-Line)				156.2mm	45.1mm	73.4mm	
#56-678	0.60X	42mm	30mm	156mm	57mm	46mm	M40.5 x 0.5
#67-731	0.75X	36mm	30mm	151.2mm	34mm*	82.2mm	M30.5 x 0.5
#88-346 (In-Line)				155.2mm	46.2mm	16.9mm	
#58-430	1.0X	40mm	30mm	114mm	32mm*	17mm	M37 x 0.75
#58-431	2.0X	45mm	30mm	141mm	45mm	17mm	M43 x 0.75
#88-348 (In-Line)				144.6mm	42.2mm	18.8mm	
#58-432	4.0X	61mm	30mm	249mm	99mm	17mm	M58 x 0.75



*Mbunting clamp fits over iris