

**TECHSPEC® 10mm Diameter, S-Mount Thin Optic Mount**



Stock #63-943 **6 In Stock**

- 1 + €40<sup>75</sup>

**ADD TO CART**

| Volume Pricing |                               |
|----------------|-------------------------------|
| Qty 1-4        | €40,75 each                   |
| Qty 5-9        | €36,60 each                   |
| Qty 10-25      | €34,00 each                   |
| Need More?     | <a href="#">Request Quote</a> |

ⓘ Prices shown are exclusive of VAT/local taxes

Product Downloads

**General**

Function:  
Optic Mount (Fixed)

Type of Optics:  
Circular

## Physical & Mechanical Properties

8.6                      **Extension Length (mm):**

11.6                     **Total Length (mm):**

1.0                      **Min. Thickness of Compatible Optics (mm):**

2.5                      **Max. Thickness of Compatible Optics (mm):**

9.0                      **Clear Aperture CA (mm):**

16.0                     **Outer Diameter (mm):**

## Threading & Mounting

S-Mount                **Thread Type:**

10.0                     **Diameter of Compatible Optics (mm):**

## Regulatory Compliance

[Compliant](#)            **RoHS 2015:**

[View](#)                    **Certificate of Conformance:**

[Compliant](#)            **REACH 241:**

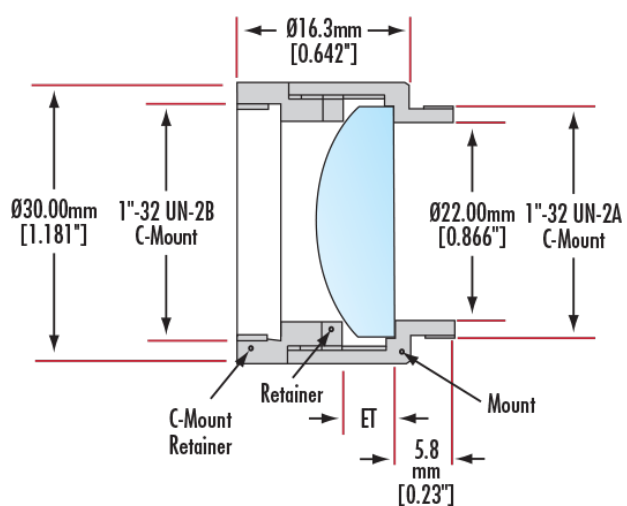
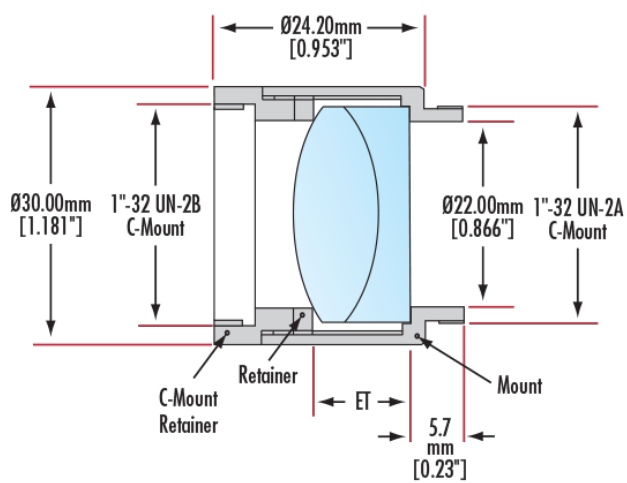
## Product Details

- Mounts for Simple Lenses, Achromats, Filters, or Reticles
- Designed to Integrate with Any C, S, or T-Mount Components
- Optic is Held in Place with Included Retaining Ring

TECHSPEC® C, S, and T-Mount Circular Optic Mounts are designed to mount a variety of circular optical components into C, S, or T-Mount compatible systems. An included threaded retainer ring, designed to accept a standard spanner wrench, securely holds the optical component. These circular optic mounts are compatible with a wide variety of Edmund Optics optomechanical components utilizing C, S, or T-Mount threads, such as [extension tubes](#) and [kinematic mounts](#). TECHSPEC® C, S, and T-Mount Circular Optic Mounts are threaded for 1" x 32 TPI, M12 x 0.5, or M42 x 0.75 mounting, with 30mm, 16mm, and 48mm outer diameters, respectively. These mounts are ideal for creating and personalization of a diverse range of optical systems.

**Note:** #56-353, #56-354, #52-933, and #52-292 are all 3-part assemblies

## Technical Information





### S-Thread Simple / Thin Lens Mount



### S-Thread Simple /Thin Lens Mount



### S-Thread Achromat / Thick Lens Mount





#58-741

