

[See all 12 Products in Family](#)

## 10mm Standard Schneider Compact VIS-NIR Lens



Schneider Compact MS-NIR Lenses

Stock #59-821 [CONTACT US](#)

⊖ 1 ⊕ €2.597<sup>00</sup>

**ADD TO CART**

Volume Pricing	
Qty 1+	€2.597,00 each
Need More?	<a href="#">Request Quote</a>

ⓘ Prices shown are exclusive of VAT/local taxes

### Product Downloads

#### General

**Product Family:**  
Schneider Compact MS-NIR Lenses

**Type:**  
Fixed Focal Length Lens

#### Physical & Mechanical Properties

**Iris Option:**  
Variable

**Length (mm):**

46.10

31.5 **Maximum Diameter (mm):**

37.3 **Outer Diameter (mm):**

180 **Weight (g):**

### Optical Properties

60° **Horizontal Field of View, 1" Sensor:**

75.0° **Horizontal Field of View, 1/2" Sensor:**

16.00 **Maximum Image Circle (mm):**

10.00 **Focal Length FL (mm):**

92 - ∞ **Working Distance (mm):**

f/1.9 - f/16 **Aperture (f/#):**

<-2 **Distortion (%):**

VIS-NIR **Lens Wavelength Range:**

### Sensor

1" **Maximum Sensor Format:**

3.45 **Pixel Size (µm):**

### Threading & Mounting

M62 x 0.75 **Filter Thread:**

C-Mount **Mount:**

### Regulatory Compliance

[Compliant](#) **RoHS 2015:**

[View](#) **Certificate of Conformance:**

[Compliant](#) **Reach 233:**

## Product Details

Lenses with M62 x 0.75 filter thread require [#59-825](#) filter thread adapter.

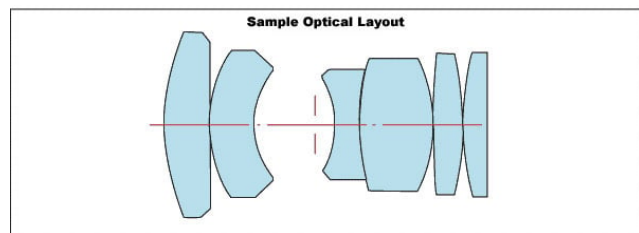
- Up to 4/3", C-Mount Lens
- Spectral Range of 400-1000nm with Color Corrected Options
- 4.8mm to 50mm Focal Length

Schneider's Standard VIS-NIR lenses can accommodate up to a 4/3" sensor (22mm image circle) but will need to be refocused when switching between VIS and NIR wavelengths.

This series of lenses features a robust mechanical design, lockable focus, lockable iris, and filter mount threads, making them ideal for typical industrial settings. The optical design is an excellent match for high pixel depth cameras. Their excellent optical performance over the entire working distance range corresponds perfectly to the capabilities of high resolution sensors.

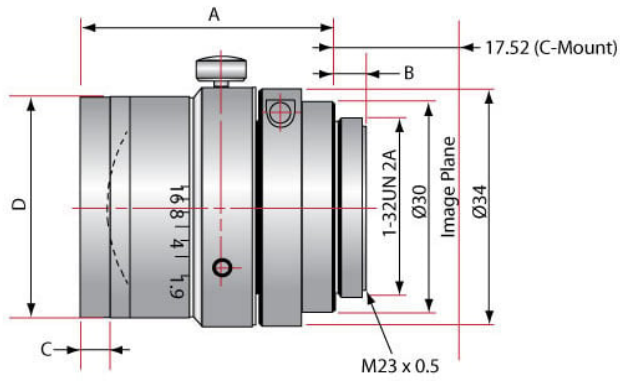
**Note:** Lenses with M62 x 0.75 filter thread require [#59-825](#) filter thread adapter.

## Technical Information





**Typical Transmission**



Stock No.	A	B	C	D
#59-819	41.0mm	6.3mm	2.8mm	37.3mm
#64-764	40.9mm	3.75mm	2.5mm	31.5mm
#56-533	32.4mm	5.1mm	0.9mm	31.5mm
#56-534	42.7mm	5.8mm	1.2mm	31.5mm
#56-535	33.4mm	4.3mm	12.4mm	31.5mm
#56-536	36.9mm	3.8mm	8.2mm	31.5mm
#56-537	34.7mm	3.8mm	2.6mm	31.5mm
#59-820	74.0mm	3.8mm	4.3mm	42mm

Stock No.	A	B	C	D
#59-821	46.1mm	4.1mm	0.3mm	37.3mm
#59-822	40.9mm	3.8mm	2.5mm	31.5mm
#59-823	34.7mm	3.8mm	2.6mm	31.5mm
#59-824	36.9mm	3.8mm	8.2mm	31.5mm

