

## 10X EO HR Infinity Corrected Objective



10XEO HR Infinity Corrected Objective (#58-372)

Stock **#58-372** **5 In Stock**

⊖ 1 ⊕ €2.980<sup>00</sup>

**ADD TO CART**

### Volume Pricing

Qty 1-4	€2.980,00 each
Qty 5+	€2.830,00 each
Need More?	<a href="#">Request Quote</a>

ⓘ Prices shown are exclusive of VAT/local taxes

### Product Downloads

#### General

28-20-45-000 **Model Number:**

**Compatible Tube Lens Focal Length (mm):**  
Focal Length: 200mm

Microscope Objective **Type:**

Infinity Corrected **Style:**

## Physical & Mechanical Properties

76.00 Length excluding Threads (mm):

34 Maximum Diameter (mm):

205.00 Weight (g):

## Optical Properties

0.64mm Horizontal Field of View, 1/2" Sensor:

0.88mm Horizontal Field of View, 2/3" Sensor:

11.00 Field Stop Diameter (mm):

20.00 Focal Length FL (mm):

10X Magnification:

0.45 Numerical Aperture NA:

0.74 Resolving Power ( $\mu\text{m}$ ):

2.70 Depth of Field ( $\mu\text{m}$ ):

19.00 Working Distance (mm):

400 - 700 Wavelength Range (nm):

95 Parfocal Length (mm):

N/A Immersion Liquid:

## Threading & Mounting

M26 x 36 TPI Mounting Threads:

## Environmental & Durability Factors

+23  $\pm$ 5 Operating Temperature ( $^{\circ}\text{C}$ ):

30 - 70% Operating Humidity:

## Regulatory Compliance

[Compliant](#) RoHS 2015:

[View](#) Certificate of Conformance:

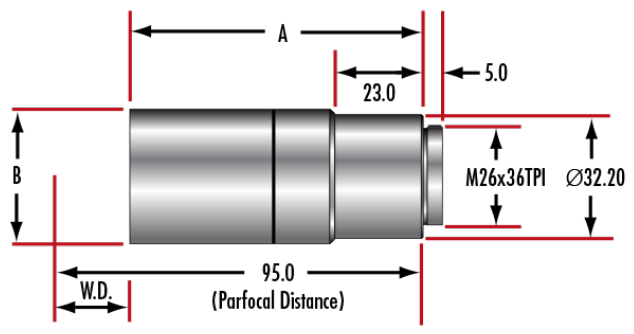
[Compliant](#) Reach 235:

## Product Details

- High Resolving Power
- Designed for use in Zoom Lens Systems
- Features Mitutoyo Standard M26 x 36 TPI Threads

EO High Resolution Infinity Corrected Objectives are designed for high resolution over a small field of view. These objectives feature Mitutoyo standard M26 x 36 TPI threads and a 95mm parfocal length which allows them to be used interchangeably with Mitutoyo microscopes and accessories. While usable with Mitutoyo microscopes and accessories, these objectives perform best when used in a zoom lens system. EO High Resolution Infinity Corrected Objectives feature near-diffraction limited on axis performance. For longer working distance objectives that can be used in Mitutoyo systems, see our [EO Infinity Corrected Long Working Distance Objectives](#).

## Technical Information



;