

[See all 34 Products in Family](#)

**TECHSPEC® 1:1.4 with 25mm and 35mm EFL Achromats, 15mm Achromatic Pair**



TECHSPEC Mounted Achromatic Lens Pairs

Stock **#55-273** **3 In Stock**

⊖ 1 ⊕ €209<sup>00</sup>

**ADD TO CART**

Volume Pricing	
Qty 1-5	€209,00 each
Qty 6-25	€167,00 each
Qty 26-49	€161,00 each
Need More?	<a href="#">Request Quote</a>

ⓘ Prices shown are exclusive of VAT/local taxes

Product Downloads

**General**

Relay Lens **Type:**

**Physical & Mechanical Properties**

9.5 **Clear Aperture CA (mm):**

**Center Air Spacing (mm):**

2.43

Housing Diameter (mm):

15 +0.0/-0.10

Housing Length (mm):

21 ±0.2

Lens Edge Spacing at Mount (mm):

4

Image Distance (mm):

28.31

Construction:

Achromat Pair in Anodized Aluminum Housing

### Optical Properties

Substrate:

[N-BAF10](#) / [N-SF10](#) / [N-SK11](#) / [N-SF5](#)

Surface Quality:

40-20

Working f#:

f/3.71

Coating:

MgF<sub>2</sub> (400-700nm)

Coating Specification:

R<sub>avg</sub> ≤ 1.75% @ 400 - 700nm

Effective Focal Length EFL A (mm):

25.00

Effective Focal Length EFL B (mm):

35.00

Magnification:

1:1.4

Object Distance (mm):

18.05

Wavelength Range (nm):

400 - 700

### Regulatory Compliance

RoHS 2015:

[Compliant](#)

Reach 209:

[Compliant](#)

Certificate of Conformance:

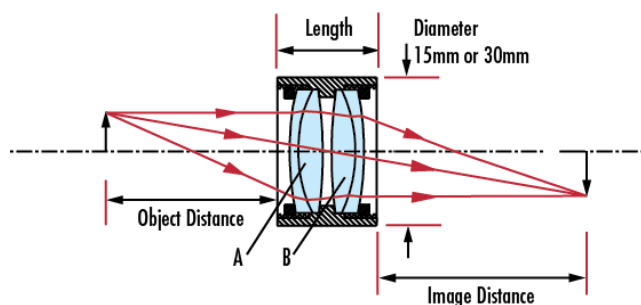
[View](#)

## Product Details

- 15mm and 30mm Diameter Options
- AR Coated Lenses
- Mounted Achromatic Pairs Kits Available

TECHSPEC® Mounted Achromatic Lens Pairs combine popular TECHSPEC® Achromats into common configurations used for relay and projection applications. Packaged in slim-line aluminum housing, each pair is ready for integration into a host of OEM applications, eliminating the need to handle loose optics. 15.0mm pairs can be coupled into C-mount components using [Helicoid Barrel Accessory](#). TECHSPEC Mounted Achromatic Lens Pairs have also been oriented for optimum system performance. All lenses, 15.0mm and 30.0mm, are AR coated. Lower f# pairs may not be ideal for imaging applications depending on the performance requirements. Cylinder lenses can be incorporated into empty barrels in order to generate lines or sheets of light.

## Technical Information



## Coating Curves