

[See all 60 Products in Family](#)

TECHSPEC® 125mm, Center Drive, Standard Top, Metric Micrometer Stage



TECHSPEC® Crossed-Roller Bearing Linear Translation Stages (Standard-Top Model)



Stock #66-457 **3 In Stock**

⊖ 1 ⊕ €705⁰⁰

ADD TO CART

Volume Pricing	
Qty 1-2	€705,00 each
Qty 3+	€615,10 each
Need More?	Request Quote

ⓘ Prices shown are exclusive of VAT/local taxes

Product Downloads

General

Metric **Type:**

Physical & Mechanical Properties

Linear (X) **Type of Movement:**

30mm Standard-Top Stages - Center Drive



30mm Standard-Top Stages - Side Drive



40mm Standard-Top Stages - Center Drive



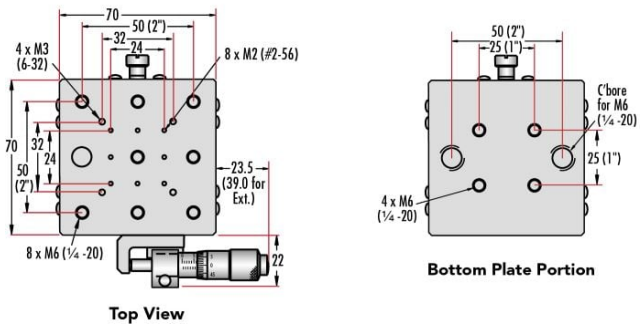
40mm Standard-Top Stages - Side Drive



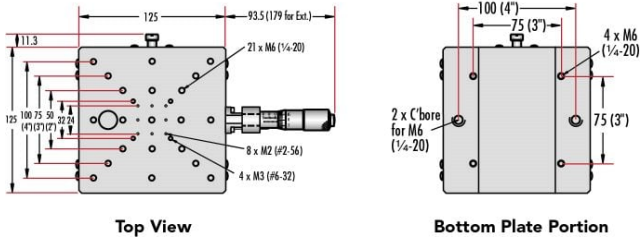
70mm Standard-Top Stages - Center Drive



70mm Standard-Top Stages - Side Drive



125mm Standard-Top Stages - Center Drive



125mm Standard-Top Stages - Side Drive

