

TECHSPEC® 125mm, Side Drive, Standard Top, English Stage



TECHSPEC® Crossed-Roller Bearing Linear Translation Stages (Standard-Top Model)



Stock #66-453 **3 In Stock**

⊖ 1 ⊕ €665⁰⁰

ADD TO CART

Volume Pricing	
Qty 1-2	€665,00 each
Qty 3+	€580,50 each
Need More?	Request Quote

ⓘ Prices shown are exclusive of VAT/local taxes

Product Downloads

General

English **Type:**

Physical & Mechanical Properties

Linear (X) **Type of Movement:**

Crossed Roller Bearing	Guide System:
Side Drive	Drive Orientation:
125 x 125	Stage Size (mm):
1	Travel (inches):
1/4-20	Center Hole:
Aluminium Stage	Construction:
0.5	Leadscrew Pitch (mm):
20	Load Capacity (kg):
4.92 x 4.92	Stage Size (inches):
2	Straight Line Accuracy (µm):
30	Pitch (arcsec):
25	Yaw (arcsec):

Hardware & Interface Connectivity

Lead Screw	Type of Drive:
------------	-----------------------

Threading & Mounting

(21) 1/4-20, (8) 2-56, (4) 6-32	Mounting Threads:
---------------------------------	--------------------------

Regulatory Compliance

Compliant	RoHS 2015:
View	Certificate of Conformance:
Compliant	REACH 241:

Product Details

- Four Sizes Ranging from 30 x 30mm to 125 x 125mm
- English and Metric Hole Patterns Available
- Micrometer and Lead Screw Drive Options
- Easily Configured into X-Y and X-Y-Z Configurations

TECHSPEC® Crossed-Roller Bearing Linear Translation Stages (Standard-Top Model) feature an advanced crossed roller bearing guide system, which provides a high level of accuracy, rigidity and load capacity. This advanced guide system allows for these stages to offer precise positioning with straight line accuracy of 2µm. TECHSPEC® Crossed-Roller Bearing Linear Translation Stages (Standard-Top Model) are designed to integrate with other stage sizes as well as with TECHSPEC® Manual Translation Stages, providing enhanced flexibility and allowing the user to create any number of axes in different configurations. The standard-top model of these translation stages are available with an English 1/4-20 TPI hole pattern and Metric hole pattern model with an M6 center mounting hole.

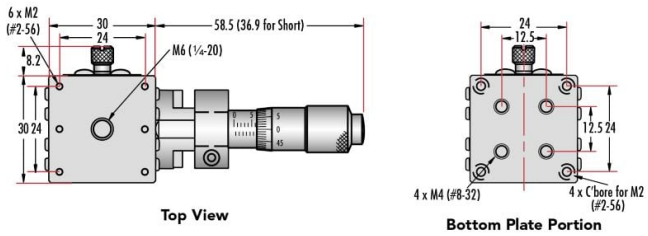
All translation stages are class 100 (ISO 5) clean room compatible and available with a micrometer or lead screw drive with either center or side drive configuration. Leadscrew drives offer 0.5mm pitch. Metric micrometers offer 0.5mm pitch with 0.01mm divisions, and English micrometers offer 0.025" pitch with 0.001" divisions.

[TECHSPEC Z-Axis Brackets](#) are available to use with our translation stages to configure your own X-Y-Z multi-axis positioning system. TECHSPEC Bottom Adapter Plates provide an easy and convenient way of mounting 30mm and 40mm stages to standard breadboards. No adapter plate is required for our 70mm and 125mm translation stages which can be mounted directly onto breadboards.

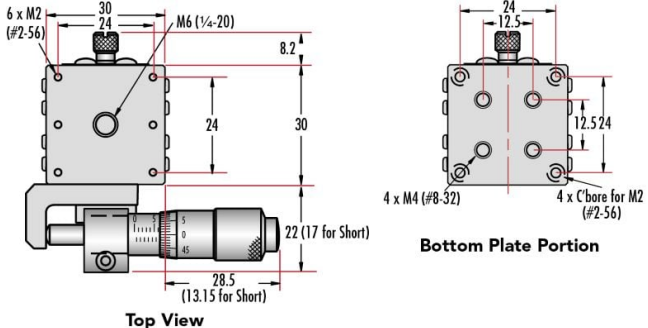
Technical Information

Bottom Stage	Top Stage																						
	30mm Linear DovesTail	30mm Linear	30mm Vertical	30mm Tip/Tilt	30mm Gonimeter	30mm Rotary	40mm Linear DovesTail	40mm Linear	40mm Vertical	40mm Tip/Tilt	40mm Gonimeter	40mm Rotary	65mm Linear DovesTail	70mm Linear	70mm Vertical	70mm Tip/Tilt	70mm Gonimeter	70mm Rotary	125mm Linear	125mm Vertical	125mm Tip/Tilt	125mm Rotary	
30mm Linear DovesTail	Compatible	Not Applicable	Not Applicable	Not Applicable	Not Applicable	Not Applicable	Not Applicable	Not Applicable	Not Applicable	Not Applicable	Not Applicable	Not Applicable	Not Applicable	Not Applicable	Not Applicable	Not Applicable	Not Applicable	Not Applicable	Not Applicable	Not Applicable	Not Applicable	Not Applicable	Not Applicable
30mm Linear	Compatible	Compatible	Not Applicable	Not Applicable	Not Applicable	Not Applicable	Not Applicable	Not Applicable	Not Applicable	Not Applicable	Not Applicable	Not Applicable	Not Applicable	Not Applicable	Not Applicable	Not Applicable	Not Applicable	Not Applicable	Not Applicable	Not Applicable	Not Applicable	Not Applicable	Not Applicable
30mm Vertical	Compatible	Not Applicable	Compatible	Not Applicable	Not Applicable	Not Applicable	Not Applicable	Not Applicable	Not Applicable	Not Applicable	Not Applicable	Not Applicable	Not Applicable	Not Applicable	Not Applicable	Not Applicable	Not Applicable	Not Applicable	Not Applicable	Not Applicable	Not Applicable	Not Applicable	Not Applicable
30mm Tip/Tilt	Compatible	Not Applicable	Not Applicable	Compatible	Not Applicable	Not Applicable	Not Applicable	Not Applicable	Not Applicable	Not Applicable	Not Applicable	Not Applicable	Not Applicable	Not Applicable	Not Applicable	Not Applicable	Not Applicable	Not Applicable	Not Applicable	Not Applicable	Not Applicable	Not Applicable	Not Applicable
30mm Gonimeter	Compatible	Not Applicable	Not Applicable	Not Applicable	Compatible	Not Applicable	Not Applicable	Not Applicable	Not Applicable	Not Applicable	Not Applicable	Not Applicable	Not Applicable	Not Applicable	Not Applicable	Not Applicable	Not Applicable	Not Applicable	Not Applicable	Not Applicable	Not Applicable	Not Applicable	Not Applicable
30mm Rotary	Compatible	Not Applicable	Not Applicable	Not Applicable	Not Applicable	Compatible	Not Applicable	Not Applicable	Not Applicable	Not Applicable	Not Applicable	Not Applicable	Not Applicable	Not Applicable	Not Applicable	Not Applicable	Not Applicable	Not Applicable	Not Applicable	Not Applicable	Not Applicable	Not Applicable	Not Applicable
40mm Linear DovesTail	Compatible	Not Applicable	Not Applicable	Not Applicable	Not Applicable	Not Applicable	Compatible	Not Applicable	Not Applicable	Not Applicable	Not Applicable	Not Applicable	Not Applicable	Not Applicable	Not Applicable	Not Applicable	Not Applicable	Not Applicable	Not Applicable	Not Applicable	Not Applicable	Not Applicable	Not Applicable
40mm Linear	Compatible	Compatible	Not Applicable	Not Applicable	Not Applicable	Not Applicable	Compatible	Compatible	Not Applicable	Not Applicable	Not Applicable	Not Applicable	Not Applicable	Not Applicable	Not Applicable	Not Applicable	Not Applicable	Not Applicable	Not Applicable	Not Applicable	Not Applicable	Not Applicable	Not Applicable
40mm Vertical	Compatible	Not Applicable	Compatible	Not Applicable	Not Applicable	Not Applicable	Compatible	Compatible	Compatible	Not Applicable	Not Applicable	Not Applicable	Not Applicable	Not Applicable	Not Applicable	Not Applicable	Not Applicable	Not Applicable	Not Applicable	Not Applicable	Not Applicable	Not Applicable	Not Applicable
40mm Tip/Tilt	Compatible	Not Applicable	Not Applicable	Compatible	Not Applicable	Not Applicable	Compatible	Compatible	Compatible	Compatible	Not Applicable	Not Applicable	Not Applicable	Not Applicable	Not Applicable	Not Applicable	Not Applicable	Not Applicable	Not Applicable	Not Applicable	Not Applicable	Not Applicable	Not Applicable
40mm Gonimeter	Compatible	Not Applicable	Not Applicable	Not Applicable	Compatible	Not Applicable	Compatible	Compatible	Compatible	Compatible	Compatible	Not Applicable	Not Applicable	Not Applicable	Not Applicable	Not Applicable	Not Applicable	Not Applicable	Not Applicable	Not Applicable	Not Applicable	Not Applicable	Not Applicable
40mm Rotary	Compatible	Not Applicable	Not Applicable	Not Applicable	Not Applicable	Compatible	Compatible	Compatible	Compatible	Compatible	Compatible	Compatible	Not Applicable	Not Applicable	Not Applicable	Not Applicable	Not Applicable	Not Applicable	Not Applicable	Not Applicable	Not Applicable	Not Applicable	Not Applicable
65mm Linear DovesTail	Compatible	Not Applicable	Not Applicable	Not Applicable	Not Applicable	Not Applicable	Not Applicable	Not Applicable	Not Applicable	Not Applicable	Not Applicable	Not Applicable	Compatible	Not Applicable	Not Applicable	Not Applicable	Not Applicable	Not Applicable	Not Applicable	Not Applicable	Not Applicable	Not Applicable	Not Applicable
70mm Linear	Compatible	Compatible	Not Applicable	Not Applicable	Not Applicable	Not Applicable	Compatible	Compatible	Compatible	Compatible	Compatible	Compatible	Compatible	Compatible	Not Applicable	Not Applicable	Not Applicable	Not Applicable	Not Applicable	Not Applicable	Not Applicable	Not Applicable	Not Applicable
70mm Vertical	Compatible	Not Applicable	Compatible	Not Applicable	Not Applicable	Not Applicable	Compatible	Compatible	Compatible	Compatible	Compatible	Compatible	Compatible	Compatible	Compatible	Not Applicable	Not Applicable	Not Applicable	Not Applicable	Not Applicable	Not Applicable	Not Applicable	Not Applicable
70mm Tip/Tilt	Compatible	Not Applicable	Not Applicable	Compatible	Not Applicable	Not Applicable	Compatible	Compatible	Compatible	Compatible	Compatible	Compatible	Compatible	Compatible	Compatible	Compatible	Not Applicable	Not Applicable	Not Applicable	Not Applicable	Not Applicable	Not Applicable	Not Applicable
70mm Gonimeter	Compatible	Not Applicable	Not Applicable	Not Applicable	Compatible	Not Applicable	Compatible	Compatible	Compatible	Compatible	Compatible	Compatible	Compatible	Compatible	Compatible	Compatible	Compatible	Not Applicable	Not Applicable	Not Applicable	Not Applicable	Not Applicable	Not Applicable
70mm Rotary	Compatible	Not Applicable	Not Applicable	Not Applicable	Not Applicable	Compatible	Compatible	Compatible	Compatible	Compatible	Compatible	Compatible	Compatible	Compatible	Compatible	Compatible	Compatible	Compatible	Not Applicable	Not Applicable	Not Applicable	Not Applicable	Not Applicable
125mm Linear	Compatible	Not Applicable	Not Applicable	Not Applicable	Not Applicable	Not Applicable	Not Applicable	Not Applicable	Not Applicable	Not Applicable	Not Applicable	Not Applicable	Not Applicable	Not Applicable	Not Applicable	Not Applicable	Not Applicable	Not Applicable	Compatible	Not Applicable	Not Applicable	Not Applicable	Not Applicable
125mm Vertical	Compatible	Not Applicable	Compatible	Not Applicable	Not Applicable	Not Applicable	Compatible	Compatible	Compatible	Compatible	Compatible	Compatible	Compatible	Compatible	Compatible	Compatible	Compatible	Compatible	Compatible	Not Applicable	Not Applicable	Not Applicable	Not Applicable
125mm Tip/Tilt	Compatible	Not Applicable	Not Applicable	Compatible	Not Applicable	Not Applicable	Compatible	Compatible	Compatible	Compatible	Compatible	Compatible	Compatible	Compatible	Compatible	Compatible	Compatible	Compatible	Compatible	Compatible	Not Applicable	Not Applicable	Not Applicable
125mm Rotary	Compatible	Not Applicable	Not Applicable	Not Applicable	Not Applicable	Compatible	Compatible	Compatible	Compatible	Compatible	Compatible	Compatible	Compatible	Compatible	Compatible	Compatible	Compatible	Compatible	Compatible	Compatible	Compatible	Not Applicable	Not Applicable

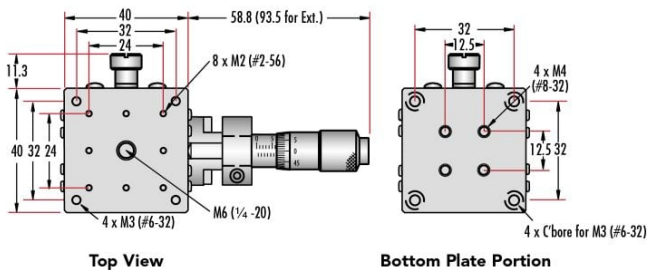
30mm Standard-Top Stages - Center Drive



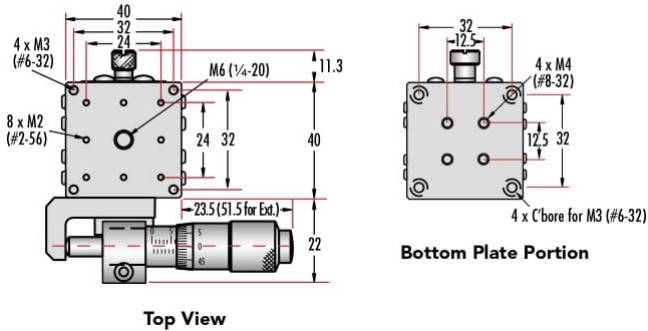
30mm Standard-Top Stages - Side Drive



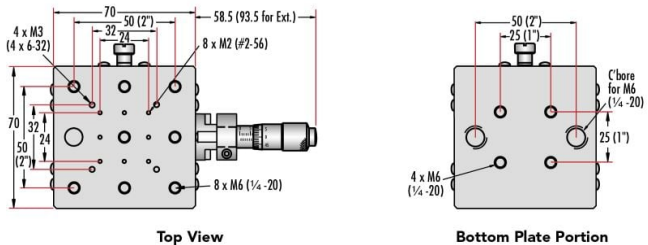
40mm Standard-Top Stages - Center Drive



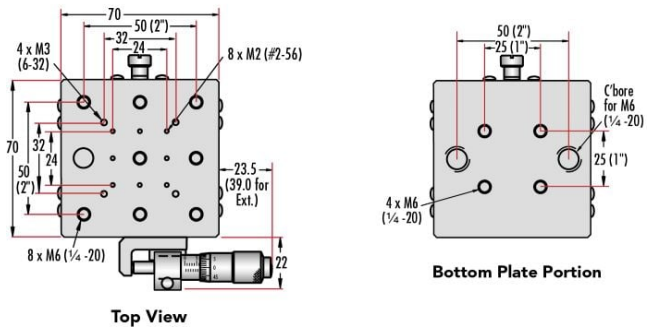
40mm Standard-Top Stages - Side Drive



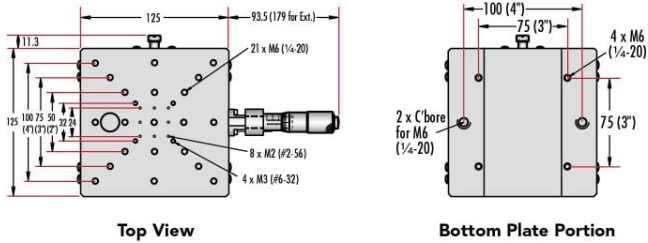
70mm Standard-Top Stages - Center Drive



70mm Standard-Top Stages - Side Drive



125mm Standard-Top Stages - Center Drive



125mm Standard-Top Stages - Side Drive

