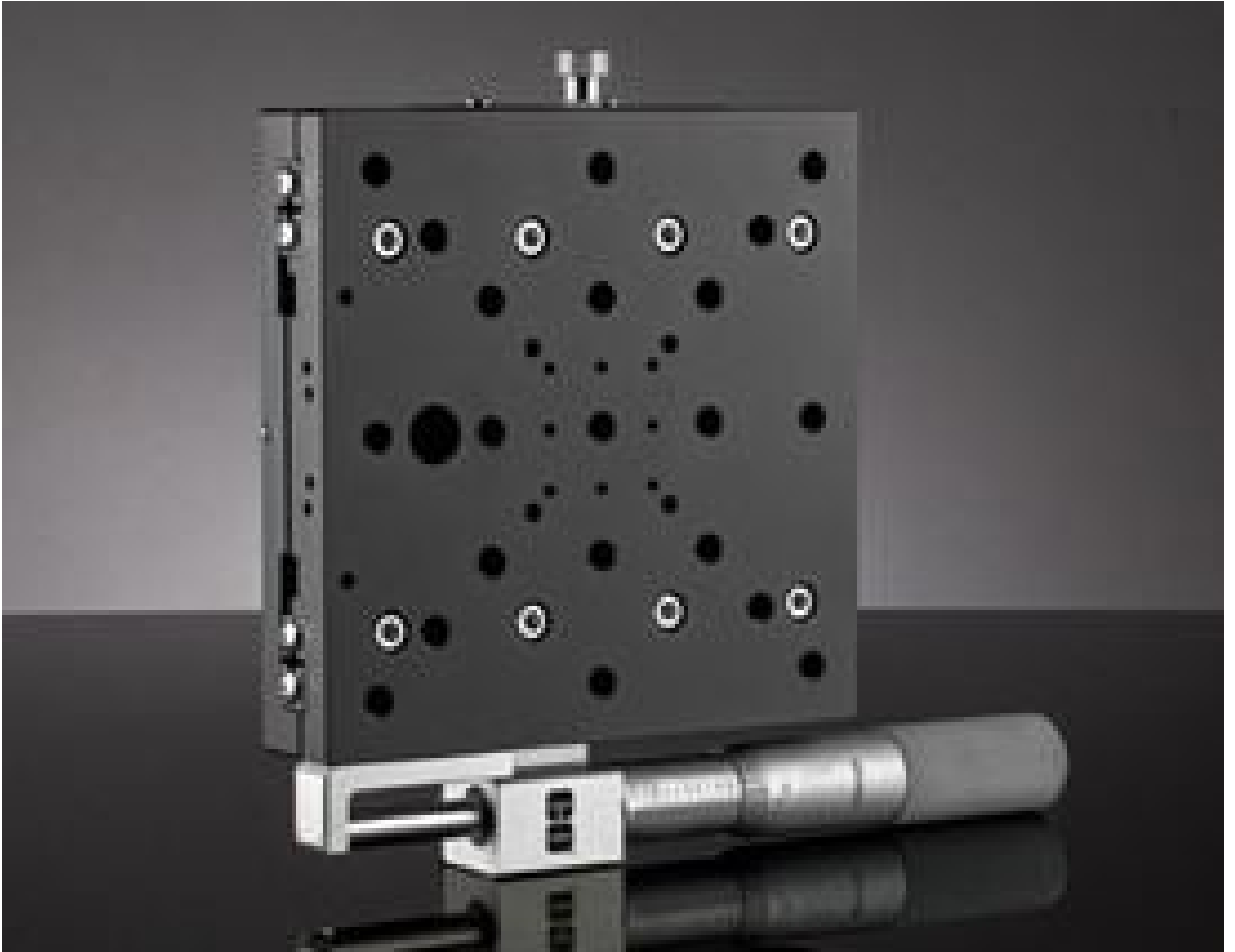


TECHSPEC® 125mm, Side Drive, Standard Top, Metric Micrometer Stage



125mm Micrometer Drive Stage

Stock #66-460 **5 In Stock**

⊖ 1 ⊕ €705⁰⁰

ADD TO CART

Volume Pricing	
Qty 1-2	€705,00 each
Qty 3+	€615,10 each
Need More?	Request Quote

ⓘ Prices shown are exclusive of VAT/local taxes

Product Downloads

General

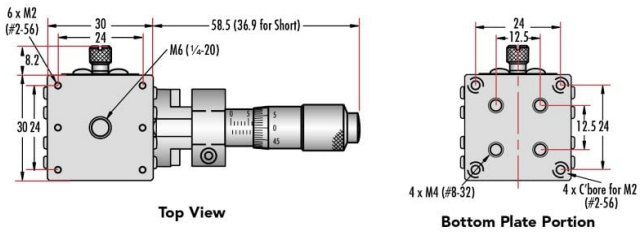
Metric **Type:**

Physical & Mechanical Properties

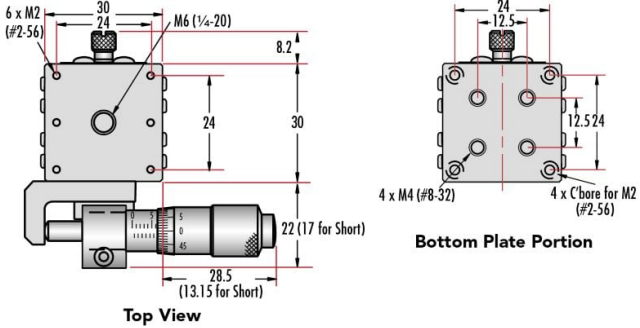
Linear (X) **Type of Movement:**

Crossed Roller Bearing **Guide System:**

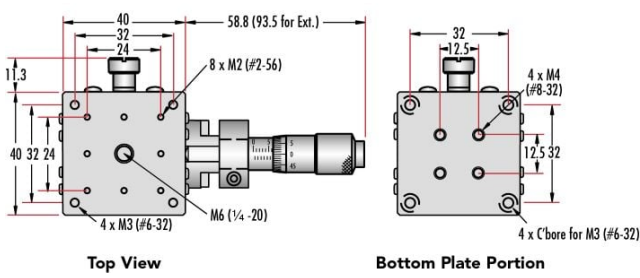
30mm Standard-Top Stages - Center Drive



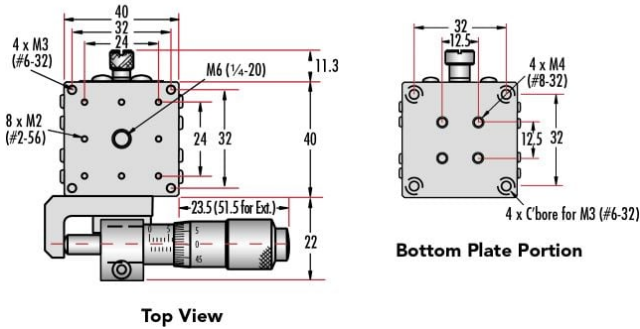
30mm Standard-Top Stages - Side Drive



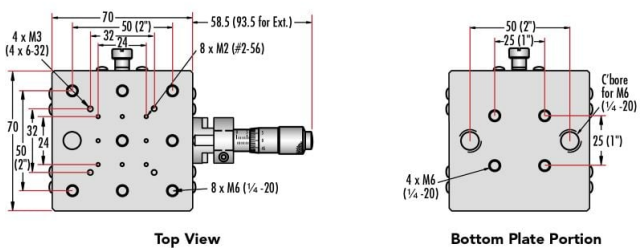
40mm Standard-Top Stages - Center Drive



40mm Standard-Top Stages - Side Drive



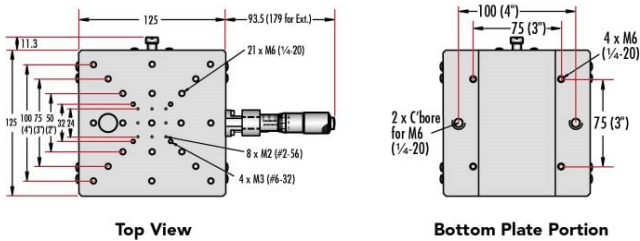
70mm Standard-Top Stages - Center Drive



70mm Standard-Top Stages - Side Drive



125mm Standard-Top Stages - Center Drive



125mm Standard-Top Stages - Side Drive

