

12.5/12.7mm, Mounting Cell



12.7mm, Mounting Cell, #56-759

Stock **#56-759** **20+ In Stock**

⊖ 1 ⊕ €27²⁵

ADD TO CART

Volume Pricing

| | |
|------------|-------------------------------|
| Qty 1-9 | €27,25 each |
| Qty 10-25 | €24,60 each |
| Qty 26-49 | €23,40 each |
| Need More? | Request Quote |

ⓘ Prices shown are exclusive of VAT/local taxes

Product Downloads

General

Fixed **Type:**
Circular **Type of Optics:**

Physical & Mechanical Properties

Construction:

Black Anodized Aluminum

Max. Thickness of Compatible Optics (mm):
3.2

Cell Diameter (mm):
30.0

Threading & Mounting

Size of Compatible Optics (mm):
12.5 - 12.7

Cell Thickness (mm):
5.0

Regulatory Compliance

[Exempt](#) **RoHS 2015:**

[View](#) **Certificate of Conformance:**

[Contains SVHC\(s\)](#) **Reach 247:**

Product Details

- Allows Stacking of 3 or 5 Filters
- Black Anodized Aluminum
- [Posts](#) and [Post Holders](#) Required for Mounting

Fixed/Multiple Filter Mounts are ideal for use with neutral density filters in stacking applications. Mounting cell holds filter with diameter "F" in place with a retainer ring. Mounting cell sits securely in filter holder. Fixed/Multiple Filter Mounts can also hold unmounted filters with diameter "A". A filter holder and filter cell are required for a complete stacking system, such as the one illustrated in the product image. These mounts are constructed of black anodized aluminum and are optimal for mounting 3 or 5 circular optics.

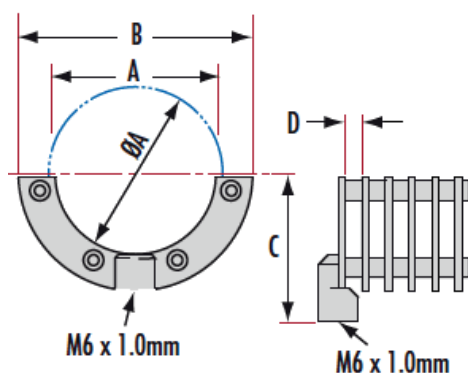
[Posts](#) and [Post Holders](#) are required for mounting to a breadboard.

Technical Information

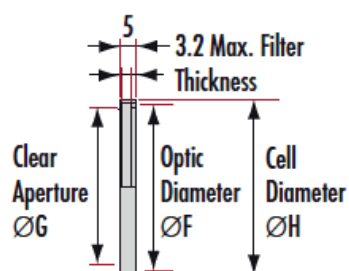
| Stock No. | A | B | C | D | No. of Slots | No. of Cell Slots |
|-------------------------|------|------|------|-----|--------------|-------------------|
| #55-006 | 30mm | 50mm | 34mm | 5mm | 4 | 3 |
| #55-007 | 50mm | 70mm | 44mm | 5mm | 5 | 5 |

| Stock No. | F | G | H |
|-------------------------|--------|--------|------|
| #56-759 | 12.7mm | 10.2mm | 30mm |
| #55-008 | 25mm | 22.5mm | 30mm |
| #56-760 | 25.4mm | 22.9mm | 30mm |
| #55-009 | 50mm | 47mm | 52mm |

Multiple Filter Holder



Mounting Cell



Units: mm

