

TECHSPEC® 14mm Uncoated, Amici Roof Prism



Amici Roof Prisms

Stock #45-261 **20+ In Stock**

⊖ 1 ⊕ €110.⁰⁰

ADD TO CART

Volume Pricing	
Qty 1-5	€110,00 each
Qty 6-25	€89,00 each
Qty 26-49	€81,00 each
Need More?	Request Quote

ⓘ Prices shown are exclusive of VAT/local taxes

Product Downloads

General

Amici Roof Prism **Type:**

Physical & Mechanical Properties

13.00 **Clear Aperture CA (mm):**

Dimensional Tolerance (mm):

+0/-0.1

6.00 Resolution (arcsec):

Protective as needed Bevel:

Optical Properties

Uncoated Coating:

N-BK7 Substrate:

60-40 Surface Quality:

±5 Angle Tolerance (arcmin):

Right-Handed Image Orientation:

90 Ray Deviation (°):

350 - 2200 Wavelength Range (nm):

3.00 Power (fringes) @ 632.8nm:

1.00 Irregularity (fringes) @ 632.8nm:

Regulatory Compliance

View Certificate of Conformance:

Need different specs or modifications?

Edmund Optics offers comprehensive custom manufacturing services for optical and imaging components tailored to your specific application requirements. Whether in the prototyping phase or preparing for full-scale production, we provide flexible solutions to meet your needs. Our experienced engineers are here to assist—from concept to completion.

Our capabilities include:

- Custom dimensions, materials, coatings, and more
- High-precision surface quality and flatness
- Tight tolerances and complex geometries
- Scalable production—from prototype to volume

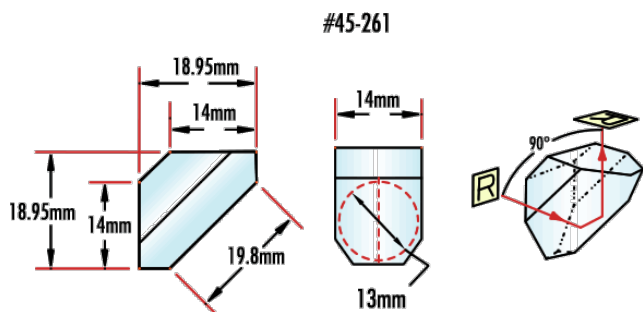
Learn more about our [custom manufacturing capabilities](#) or submit an inquiry [here](#).

Product Details

- Ray Deviation of 90°
- Right Handed Image
- 6 Arcsecond Resolution
- Roof Surfaces Available Uncoated or Silver Coated

Amici prisms, also called "roof prisms" or "right angle roof prisms," revert and invert the image as well as bend the line of sight through a 90° angle. Ideal for use in spotting scopes, and any optical instrument where it is desirable to take an inverted image from an objective, turn it right side up, and bend it through a 90° angle in order to maintain the correct visual orientation. With linearly polarized incident light, the light exiting an uncoated Amici prism is a mix of two elliptical polarizations which causes a reduction in contrast and resolution in some applications. The silver coated Amici roof prisms eliminate these issues.

Technical Information



A (mm)	B (mm)	C (mm)	D (mm)	Stock No. Uncoated	Stock No. Protected Silver Coated
9.00	12.18	12.73	8.00	#45-662	#12-638
14.00	18.95	19.80	13.00	#45-261	#12-639

