

# 1" Travel, Eng Micrometer, Thru-Hole 2.62" Stage



Stock #38-203 **1 In Stock**

⊖ 1 ⊕ €1.515<sup>00</sup>

**ADD TO CART**

Volume Pricing	
Qty 1+	€1.515,00 each
Need More?	<a href="#">Request Quote</a>

ⓘ Prices shown are exclusive of VAT/local taxes

## Product Downloads

### General

English **Type:**

Thru-Hole **Note:**

### Physical & Mechanical Properties

Linear (X) **Type of Movement:**

Ball Bearing **Guide System:**

Center Drive	<b>Drive Orientation:</b>
66.5 x 66.5	<b>Stage Size (mm):</b>
1	<b>Travel (inches):</b>
Aluminum Top and Base/440C Stainless Steel Bearings	<b>Construction:</b>
0.00005	<b>Graduation (inches):</b>
62	<b>Load Capacity, Normal (lbs):</b>
10	<b>Load Capacity, T<sub>a</sub> (lbs):</b>
2	<b>Load Capacity, T<sub>b</sub> (lbs):</b>
2.62 x 2.62	<b>Stage Size (inches):</b>
0.00008 per inch of travel	<b>Straight Line Accuracy (inches):</b>
1.4	<b>Weight (lbs):</b>

## Hardware & Interface Connectivity

Digital Micrometer (English)	<b>Type of Drive:</b>
------------------------------	-----------------------

## Regulatory Compliance

<a href="#">Compliant</a>	<b>RoHS 2015:</b>
<a href="#">View</a>	<b>Certificate of Conformance:</b>

## Product Details

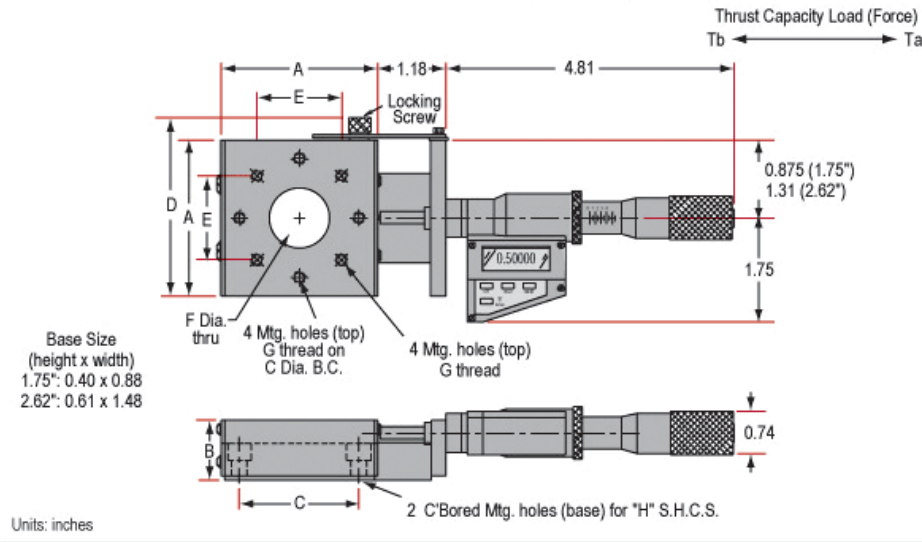
- 0.001mm Resolution Directly Readable Micrometer
- Readout in Inches or Millimeters
- Available with English or Metric Mounting Holes

Available with standard (English) or metric mounting holes, these digital micrometers have a precision ground mounting surface and clear LCD readout. The micrometers also feature incremental or absolute positional modes, zero set at any position, inch or millimeter readouts (0.001mm resolution), display hold, and automatic shutdown to conserve the integral battery. Stage travels are one inch and table tops are available with or without a thru-hole.

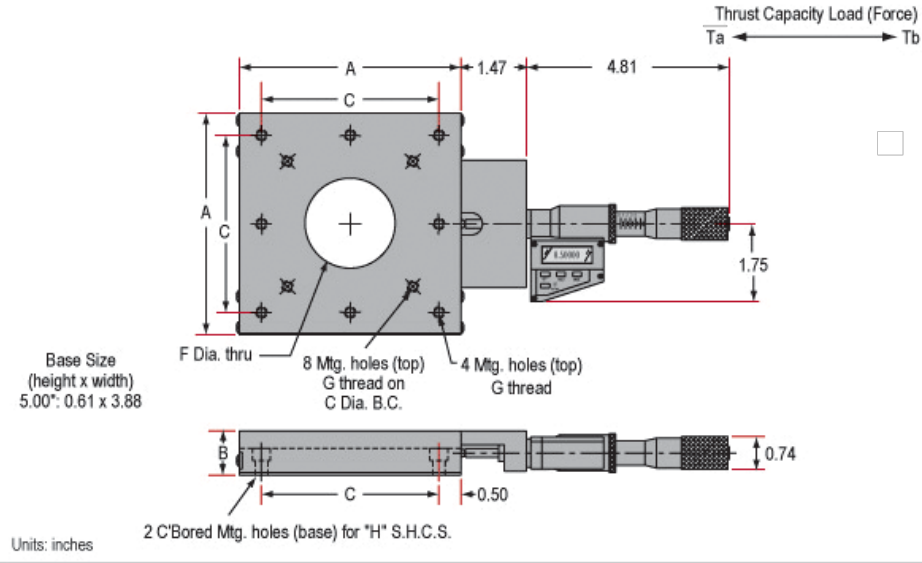
## Technical Information

Figure	Size A	Size B	Size C	Size D	Size E	Size F	Threading G	Threading H	Stock No.
<b>Solid Top</b>									
A	1.75"	0.75"	1.12"	2.12"	1.00"	0.50"	6-32	#6	<a href="#">#53-857</a>
A	1.75"	0.75"	1.12"	2.12"	1.00"	—	6-32	#6	<a href="#">#53-856</a>
A	2.62"	1.00"	2.00"	3.00"	2.00"	—	10-32	#1/4	<a href="#">#38-199</a>
A	2.62"	1.00"	2.00"	3.00"	2.00"	1.00"	10-32	#1/4	<a href="#">#38-203</a>
B	5.00"	1.00"	4.00"	—	4.00"	—	1/4-20	#1/4	<a href="#">#38-202</a>
B	5.00"	1.00"	4.00"	—	4.00"	2.00"	1/4-20	#1/4	<a href="#">#38-204</a>
C	44.4mm	19.0mm	30.0mm	53.8mm	25.0mm	—	M4	M4	<a href="#">#55-461</a>
C	66.5mm	25.4mm	50.0mm	75.9mm	50.0mm	—	M5	M6	<a href="#">#55-462</a>
D	127.0mm	25.4mm	100.0mm	—	—	—	M6	M6	<a href="#">#55-463</a>
D	66.5mm	25.4mm	50.0mm	75.9mm	50.0mm	25.4mm	M5	M6	<a href="#">#55-464</a>

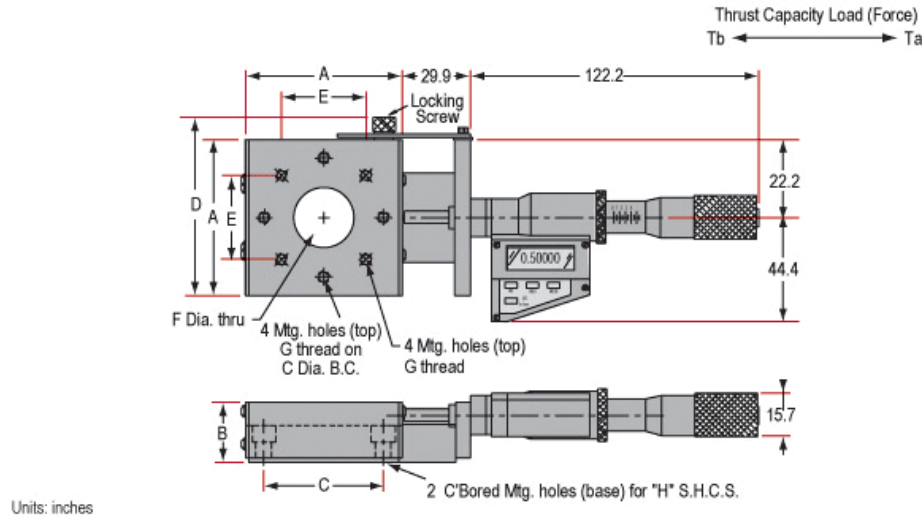
**Digital Micrometer Positioning Stage (Figure A)**



**Digital Micrometer Positioning Stage (Figure B)**



**Digital Micrometer Positioning Stage (Figure C)**



**Digital Micrometer Positioning Stage (Figure D)**

