

[See all 3 Products in Family](#)

20X Objective, Nikon CFI S Plan Fluor LWD

See More by [Nikon](#)



Stock #75-376 **NEW** 1 In Stock

⊖ 1 ⊕ €11.180⁰⁰

ADD TO CART

Volume Pricing

Qty 1+	€11.180,00 each
Need More?	Request Quote

ⓘ Prices shown are exclusive of VAT/local taxes

Product Downloads

General

MRH08250 **Model Number:**

Compatible Tube Lens Focal Length (mm):
Focal Length: 200mm

Microscope Objective **Type:**

Infinity Corrected **Style:**

Nikon

Manufacturer:

Physical & Mechanical Properties

1.25 Field of View (mm):

57.49 Length excluding Threads (mm):

38 Maximum Diameter (mm):

280 Weight (g):

Optical Properties

0-1.8 Compatible Cover Glass Thickness (mm):

0.32 Horizontal Field of View, 1/2" Sensor:

0.44 Horizontal Field of View, 2/3" Sensor:

20X Magnification:

0.70 Numerical Aperture NA:

1.3 - 2.3 Working Distance (mm):

25 Field Number (mm):

60.45 Parfocal Length (mm):

N/A Immersion Liquid:

Sensor

2/3" Maximum Sensor Format:

Threading & Mounting

M25 x 0.75 Mounting Threads:

Regulatory Compliance

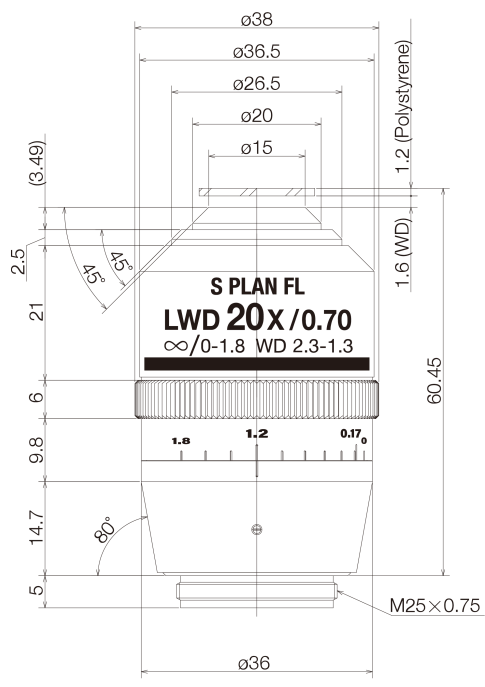
[View](#) Certificate of Conformance:

Product Details

- Long Working Distance (LWD)
- Optimized for Fluorescence Microscopy
- Ideal for Stem Cell and Drug Design Applications

Nikon CFI S Plan Fluor LWD Objectives are plastic-compatible high-resolution, large-FOV objectives designed with long working distances. These objectives provide a safe, clear image of thick samples and culture vessels without compromising optical performance. Featuring a 0.70 numerical aperture, these objectives deliver bright, high-contrast images for precise visualization of fluorescent signals. Nikon CFI S Plan Fluor LWD Objectives are optimized for fluorescence and feature a correction ring to compensate for cover glass thickness of 0 to 1.8mm. These objectives are ideal for live-cell imaging, stem cell tracking, and high-throughput drug screening workflows.

Technical Information



;