

[See all 10 Products in Family](#)

20X Oil Immersion Objective, Nikon CFI Super Fluor

See More by [Nikon](#)



Stock #75-346 NEW **1 In Stock**

⊖ 1 ⊕ €5.870⁰⁰

ADD TO CART

Volume Pricing

Qty 1+	€5.870,00 each
Need More?	Request Quote

● Prices shown are exclusive of VAT/local taxes

Product Downloads

General

Model Number:
MRF01401

Compatible Tube Lens Focal Length (mm):
Focal Length: 200mm

Microscope Objective Type:

Infinity Corrected Style:

Manufacturer:
Nikon

Physical & Mechanical Properties

Field of View (mm):

0.55

Length (mm):

64.70

Length excluding Threads (mm):

59.70

Maximum Diameter (mm):

30

Weight (g):

195

Optical Properties

Compatible Cover Glass Thickness (mm):

0.17

Horizontal Field of View, 1/2" Sensor:

0.16mm

Horizontal Field of View, 2/3" Sensor:

0.22mm

Magnification:

40X

Numerical Aperture NA:

1.30

Working Distance (mm):

0.19

Field Number (mm):

22

Parfocal Length (mm):

60.06

Immersion Liquid:

Oil

Sensor

Maximum Sensor Format:

2/3"

Threading & Mounting

Mounting Threads:

M25 x 0.75

Regulatory Compliance

Certificate of Conformance:

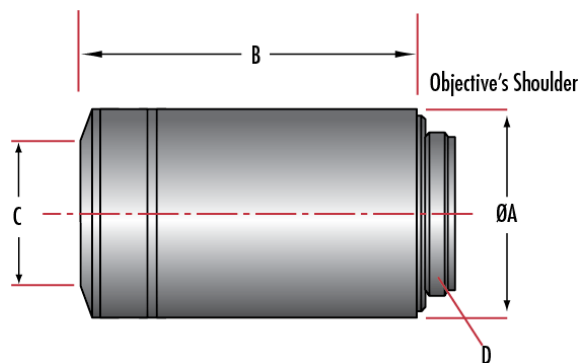
[View](#)

Product Details

- Superior UV Transmission
- High Numerical Aperture Designs
- Feature Low Auto-Fluorescence Materials

Nikon CFI Super Fluor Objectives are designed to provide superior transmission to ultraviolet applications operating down to 340nm, including for use with fluorochromes indo-1, fura-2, and fluo-3, or for photo-activation of caged compounds. Nikon CFI Super Fluor Objectives are designed using low auto-fluorescence materials along with high numerical apertures to guarantee sharp, bright fluorescence images. These microscope objectives have been optimized for improved signal-to-noise ratios at short wavelengths.

Technical Information



Dimensions (mm)						
Stock No.	Magnification	Parafocal Length	A	B	C	D
#88-374	4X	60.06	30.0	44.4	19.7	M25 x 0
#88-375	10X	60.06	32.0	58.7	8.0	M25 x 0
#88-376	20X	60.06	33.5	58.9	9.0	M25 x 0
#88-377	40X	60.06	33.0	59.6	7.5	M25 x 0