

[See all 20 Products in Family](#)

25.0mm Optic Dia., Optic Mount



Optic Component Mounts

Stock #64-560 [CONTACT US](#)

⊖ 1 ⊕ €32⁷⁵

ADD TO CART

Volume Pricing

| | |
|------------|-------------------------------|
| Qty 1-9 | €32,75 each |
| Qty 10+ | €29,60 each |
| Need More? | Request Quote |

ⓘ Prices shown are exclusive of VAT/local taxes

Product Downloads

General

Fixed **Type:**

Circular **Type of Optics:**

Physical & Mechanical Properties

22.0 **Clear Aperture CA (mm):**

| | |
|-------------------------|---|
| 45.0 | Outer Diameter (mm): |
| 16.00 | Thickness (mm): |
| Black Anodized Aluminum | Construction: |
| 10.00 | Max. Thickness of Compatible Optics (mm): |

Threading & Mounting

| | |
|------------------|---------------------------------|
| 25.0 | Size of Compatible Optics (mm): |
| M6 x 1.0, 1/4-20 | Compatible Post: |

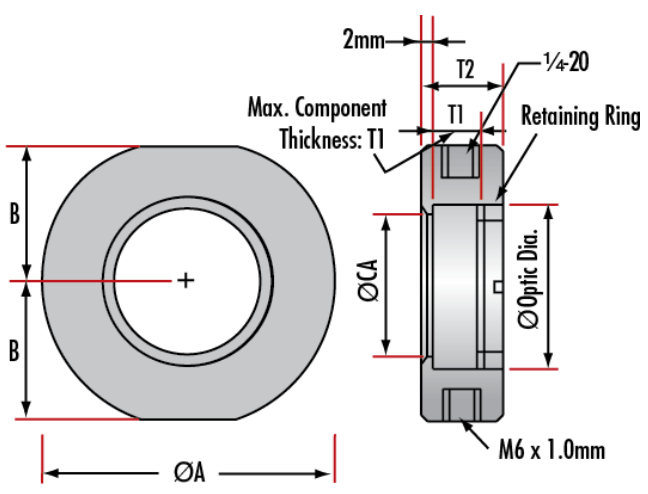
Regulatory Compliance

| | |
|---------------------------|-----------------------------|
| Compliant | RoHS 2015: |
| View | Certificate of Conformance: |
| Compliant | Reach 247: |

Product Details

- Simple Mounting Arrangement
 - Metric and English Configurations
 - Black Anodized Aluminum Construction
 - [Posts](#) and [Post Holders](#) Required for Mounting
- Optic Component Mounts are designed to hold lenses, filters, mirrors, and other optical components. The included retainer ring securely holds the component in place. Optic Component Mounts need the required [posts](#) and [post holders](#) for mounting to a breadboard. Both English (1/4-20) and Metric (M6) standard posts are accepted by the mounts. These mounts are constructed of black anodized aluminum in a simple mounting arrangement.

Technical Information



| Maximum Optic Diameter | Clear Aperture (CA) | Mount Diameter A | B | Maximum Optic Thickness T1 | Mount Thickness T2 | Stock No. |
|------------------------|---------------------|------------------|------|----------------------------|--------------------|-------------------------|
| 5 | 4 | 30 | 13.5 | 5.7 | 12 | #64-551 |
| 6 | 5 | 30 | 13.5 | 5.7 | 12 | #64-552 |
| 9 | 6 | 30 | 13.5 | 6 | 12 | #64-553 |
| 10 | 7 | 30 | 13.5 | 6 | 12 | #64-554 |
| 12 | 9 | 35 | 16.0 | 10 | 16 | #64-555 |
| 12.7 | 9.5 | 35 | 16.0 | 10 | 16 | #64-556 |
| 15 | 12 | 35 | 16.0 | 10 | 16 | #64-557 |
| 18 | 15 | 40 | 19.0 | 12 | 18 | #64-558 |
| 20 | 17 | 40 | 19.0 | 12 | 18 | #64-559 |
| 25 | 22 | 45 | 21.5 | 10 | 16 | #64-560 |
| 25.4 | 22 | 45 | 21.5 | 10 | 16 | #64-561 |
| 25.4 | 22 | 45 | 21.5 | 13 | 19 | #65-562 |
| 30 | 26 | 50 | 24.0 | 6 | 12 | #64-563 |
| 30 | 26 | 50 | 24.0 | 12 | 18 | #64-564 |
| 38.1 | 34 | 60 | 29.0 | 12 | 18 | #64-565 |
| 40 | 36 | 60 | 29.0 | 12 | 18 | #64-566 |
| 50 | 46 | 70 | 34.0 | 12 | 18 | #64-567 |
| 50 | 46 | 70 | 34.0 | 18 | 24 | #64-568 |
| 50.8 | 46 | 70 | 34.0 | 12 | 28 | #64-569 |

