

25.4mm, Glan-Thompson Mount



Stock #57-571 **20+ In Stock**

- 1 + €341⁰⁰

ADD TO CART

Volume Pricing

Qty 1-4	€341,00 each
Qty 5-25	€306,90 each
Qty 26-49	€289,90 each
Need More?	Request Quote

i Prices shown are exclusive of VAT/local taxes

Product Downloads

General

Adjustable - Rotary

Type:

Cylindrical Tube

Type of Optics:

Physical & Mechanical Properties

18.0 Clear Aperture CA (mm):

18.0

Increments:

1°

Coarse Rotation (°):

360

Fine Rotation (°):

N/A

Hardware & Interface Connectivity

Type of Drive:

Standard

Threading & Mounting

Size of Compatible Optics (mm):

25.4

Thickness of Compatible Optics (mm):

39.0 (Max)

Compatible Post:

M6 x 1.0

Type of Mounting Optics:

Glan-Thompson

Regulatory Compliance

RoHS 2015:

[Exempt](#)

Certificate of Conformance:

[View](#)

Reach 247:

[Contains SVHC\(s\)](#)

Product Details

- Coarse and Fine Movement Available
- Black Anodized Aluminum
- [Posts](#) and [Post Holders](#) Required for Mounting

Metric Polarizer Mounts feature secure optic retainer, lever arm for smooth rotation, locking knob for repeatability and 360° scaled vernier. [Posts](#) and [Post Holders](#) are required for mounting to a breadboard. Micrometer version provides fine adjustment. Metric Polarizer Mounts, for Micrometer Driven version only: total travel of the 0.25mm pitch fine adjustment screw is 10°. Total angular rotation per rotation of knob is 20 minutes. *40mm total including 34mm diameter mounting tube.

Technical Information

Diameter of Compatible Optics D	Clear Aperture CA	Drive Type	Mount Diameter A	Mount Thickness B	C	E	Stock No.
Standard							
20.0	17	Standard	50	19	34	24.0	#55-454
25.4	22	Micrometer	69	-	-	33.5	#55-011
25.4	22	Standard	60	20	42	29.5	#55-010
30.0	27	Micrometer	69	-	-	33.5	#57-570
30.0	27	Standard	60	20	42	29.5	#57-569
50.0	47	Micrometer	89	-	-	43.5	#56-329
50.0	47	Standard	80	20	62	39.5	#55-455
Glan-Thompson Polarizer Mounts							
25.4	18	Micrometer	69	-*	-	33.5	#57-572
25.4	18	Standard	60	20*	42	29.5	#57-571

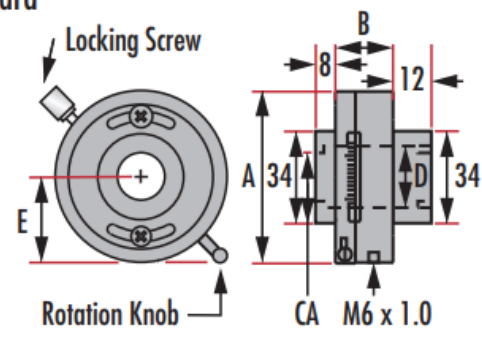
Polarizer Mounts

Standard



Glan-Thompson Mount

Standard



Micrometer Driven



Micrometer Driven

