

[See all 11 Products in Family](#)

## 25.4mm, Polarizer Mount



Stock #55-010 [CONTACT US](#)

- 1 + €221<sup>00</sup>

**ADD TO CART**

Volume Pricing	
Qty 1-4	€221,00 each
Qty 5-25	€215,10 each
Qty 26-49	€209,40 each
Need More?	<a href="#">Request Quote</a>

**i** Prices shown are exclusive of VAT/local taxes

### Product Downloads

### General

Adjustable - Rotary **Type:**

Circular **Type of Optics:**

## Physical & Mechanical Properties

22.0 Clear Aperture CA (mm):

1°

Increments:

360

Coarse Rotation (°):

N/A

Fine Rotation (°):

## Hardware & Interface Connectivity

Standard Type of Drive:

## Threading & Mounting

25.0 - 25.4 Size of Compatible Optics (mm):

7.0 (Max)

Thickness of Compatible Optics (mm):

M6 x 1.0

Compatible Post:

Polarizer

Type of Mounting Optics:

## Regulatory Compliance

[Exempt](#) RoHS 2015:

[View](#) Certificate of Conformance:

[Contains SVHC\(s\)](#) Reach 247:

## Product Details

- Coarse and Fine Movement Available
- Black Anodized Aluminum
- [Posts](#) and [Post Holders](#) Required for Mounting

Metric Polarizer Mounts feature secure optic retainer, lever arm for smooth rotation, locking knob for repeatability and 360° scaled vernier. [Posts](#) and [Post Holders](#) are required for mounting to a breadboard. Micrometer version provides fine adjustment. Metric Polarizer Mounts, for Micrometer Driven version only: total travel of the 0.25mm pitch fine adjustment screw is 10°. Total angular rotation per rotation of knob is 20 minutes. \*40mm total including 34mm diameter mounting tube.

## Technical Information

Diameter of Compatible Optics D	Clear Aperture CA	Drive Type	Mount Diameter A	Mount Thickness B	C	E	Stock No.
Standard							
20.0	17	Standard	50	19	34	24.0	<a href="#">#55-454</a>
25.4	22	Micrometer	69	-	-	33.5	<a href="#">#55-011</a>
25.4	22	Standard	60	20	42	29.5	<a href="#">#55-010</a>
30.0	27	Micrometer	69	-	-	33.5	<a href="#">#57-570</a>
30.0	27	Standard	60	20	42	29.5	<a href="#">#57-569</a>
50.0	47	Micrometer	89	-	-	43.5	<a href="#">#56-329</a>
50.0	47	Standard	80	20	62	39.5	<a href="#">#55-455</a>
Glan-Thompson Polarizer Mounts							
25.4	18	Micrometer	69	-*	-	33.5	<a href="#">#57-572</a>
25.4	18	Standard	60	20*	42	29.5	<a href="#">#57-571</a>

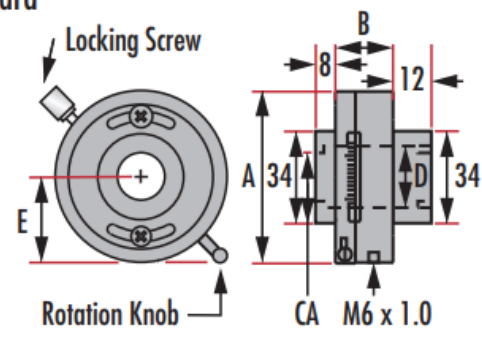
### Polarizer Mounts

Standard



### Glan-Thompson Mount

Standard



Micrometer Driven



Micrometer Driven

