

[See all 11 Products in Family](#)

25.4mm w/ micrometer, Polarizer Mount



Stock **#55-011** **5 In Stock**

- 1 + €468⁰⁰

ADD TO CART

Volume Pricing

Qty 1-4	€468,00 each
Qty 5-25	€421,80 each
Qty 26-49	€388,40 each
Need More?	Request Quote

i Prices shown are exclusive of VAT/local taxes

Product Downloads

General

Adjustable - Rotary **Type:**

Circular **Type of Optics:**

Note:

Physical & Mechanical Properties

22.0	Clear Aperture CA (mm):
5 arcminutes	Increments:
360	Coarse Rotation (°):
±5	Fine Rotation (°):

Hardware & Interface Connectivity

Micrometer	Type of Drive:
------------	-----------------------

Threading & Mounting

25.0 - 25.4	Size of Compatible Optics (mm):
7.0 (Max.)	Thickness of Compatible Optics (mm):
M6 x 1.0	Compatible Post:
Polarizer	Type of Mounting Optics:

Regulatory Compliance

Exempt	RoHS 2015:
View	Certificate of Conformance:
Contains SVHC(s)	Reach 247:

Product Details

- Coarse and Fine Movement Available
- Black Anodized Aluminum
- [Posts](#) and [Post Holders](#) Required for Mounting

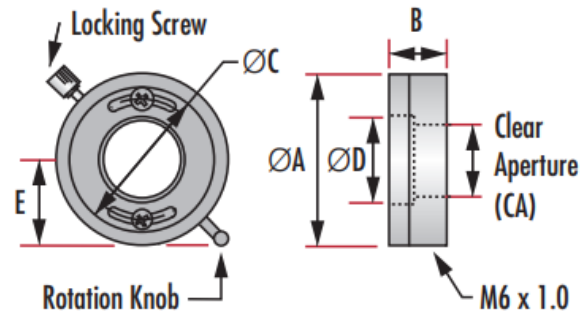
Metric Polarizer Mounts feature secure optic retainer, lever arm for smooth rotation, locking knob for repeatability and 360° scaled vernier. [Posts](#) and [Post Holders](#) are required for mounting to a breadboard. Micrometer version provides fine adjustment. Metric Polarizer Mounts, for Micrometer Driven version only: total travel of the 0.25mm pitch fine adjustment screw is 10°. Total angular rotation per rotation of knob is 20 minutes. *40mm total including 34mm diameter mounting tube.

Technical Information

Diameter of Compatible Optics D	Clear Aperture CA	Drive Type	Mount Diameter A	Mount Thickness B	C	E	Stock No.
Standard							
20.0	17	Standard	50	19	34	24.0	#55-454
25.4	22	Micrometer	69	-	-	33.5	#55-011
25.4	22	Standard	60	20	42	29.5	#55-010
30.0	27	Micrometer	69	-	-	33.5	#57-570
30.0	27	Standard	60	20	42	29.5	#57-569
50.0	47	Micrometer	89	-	-	43.5	#56-329
50.0	47	Standard	80	20	62	39.5	#55-455
Glan-Thompson Polarizer Mounts							
25.4	18	Micrometer	69	-*	-	33.5	#57-572
25.4	18	Standard	60	20*	42	29.5	#57-571

Polarizer Mounts

Standard



Glan-Thompson Mount

Standard



Micrometer Driven



Micrometer Driven

