

TECHSPEC® 25mm HR Series Fixed Focal Length Lens



TECHSPEC HR Series Fixed Focal Length Lenses



Stock #71-000 **NEW** 6 In Stock

- 1 + €675⁰⁰

ADD TO CART

Volume Pricing	
Qty 1+	€675,00 each
Need More?	Request Quote

Prices shown are exclusive of VAT/local taxes

Product Downloads

General

HR Series **Product Family:**

Fixed Focal Length Lens **Type:**

High Performance Lens **Imaging Lens Type:**

Physical & Mechanical Properties

Variable	Iris Option:
32.20	Length (mm):
31.5	Maximum Diameter (mm):
52	Weight (g):
7.00	Maximum Rear Protrusion (mm):

Optical Properties

18.6°	Horizontal Field of View @ Max Sensor Format:
Horizontal: 18.6° Vertical: 14.0° Diagonal: 23.2°	Field of View at Max Sensor Format:
18.6°	Horizontal Field of View, 2/3" Sensor:
16.4°	Horizontal Field of View, 1/1.8" Sensor:
14.6°	Horizontal Field of View, 1/2" Sensor:
13.2°	Horizontal Field of View, 1/2.5" Sensor:
11.0°	Horizontal Field of View, 1/3" Sensor:
29.4mm - 8.2°	Horizontal Field of View, 1/4" Sensor:
11.00	Maximum Image Circle (mm):
0.0202	Numerical Aperture NA, Object Side:
5	Number of Elements (Groups):
25.00	Focal Length FL (mm):
200 - ∞	Working Distance (mm):
f/2 - f/22	Aperture (f/#):
425 - 675nm BBAR	Coating:
425 - 675nm BBAR	Coating Specification:
13.44	Entrance Pupil Position (mm):
22.46	Object Space Principal Plane (mm):
-13.73	Image Space Principal Plane (mm):
0.85	Maximum Distortion (%):
-27.85	Exit Pupil Position (mm):
VS	Lens Wavelength Range:

Sensor

2/3"	Maximum Sensor Format:
------	------------------------

Threading & Mounting

M25.5 x 0.50 (Female)	Filter Thread:
C-Mount	Mount:

Environmental & Durability Factors

-20 to +60	Storage Temperature (°C):
------------	---------------------------

Regulatory Compliance

View	Certificate of Conformance:
----------------------	-----------------------------

Product Details

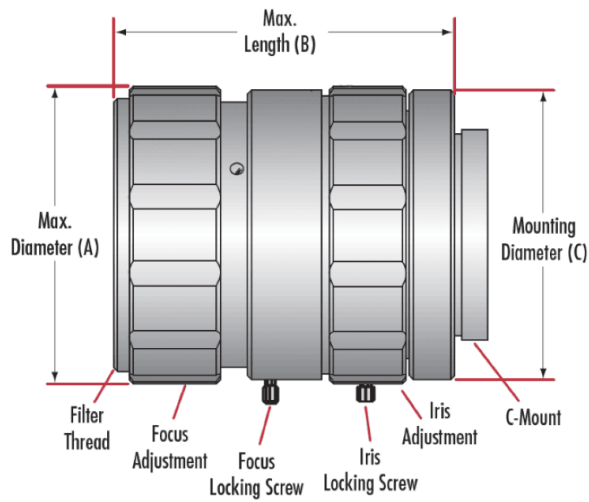
- 2/3", C-Mount Lens
- Up to 10 MegaPixels, 1.85µm Pixel Size Sensors
- High Resolution (HR), FA Lens for Machine Vision
- 8.5mm to 35mm Focal Length

TECHSPEC® HR Series Fixed Focal Length Lenses have multiple options available for each focal length to accommodate a variety of optimized working distance ranges. These lenses are ideal for machine vision (MV) and [factory automation \(FA\)](#) applications. TECHSPEC HR Series Fixed Focal Length Lenses are perfect for use on high-end 5 MegaPixel and 9 MegaPixel sensors that require resolution and high contrast. All lenses are C-Mount and feature locking focus, iris rings, and a front filter thread to allow the use of standard optical filters for increased versatility. Call for OEM Quantity Pricing.

Edmund Optics has created a family of high performance optical designs (the HR Series family) and developed three customized optomechanical solutions targeted for specific applications. These lens sub-families utilize the same optics as the HR Series Lenses, providing the same optical performance in a variety of optomechanical solutions to meet your application requirements:

- **HR Series:** Features locking cam focus and iris adjustment. This is the most adjustable version of these optical designs and is the typical high quality machine vision lens.
- **HRi Series:** Simplified mechanics featuring fixed apertures with compact housing. [Industrial Ruggedization](#) for reduced size, cost, and locked focus.
- **HRr Series:** All optics glued in place and a locking C-clamp focus ring. [Stabilized Ruggedization](#) for reduced pixel shift and improved focus stability.

Technical Information



Dimensions			
Focal Length (mm)	A (mm)	B (mm)	C (mm)
8.5	42.5	44.5	33.5
12	36	41.07	35
12	36	41.37	35
12	36	41.19	35
16	37	44	36
16	37	44	36
25	37.5	34.4	36
25	37.5	33.7	36
25	37.5	33.7	36
35	37.5	45	36
35	37.5	45	36