

[See all 5 Products in Family](#)

## 30mm, Multiple Filter Holder



#55-006

Stock #55-006 **20+ In Stock**

- 1 + €108<sup>00</sup>

**ADD TO CART**

### Volume Pricing

Qty 1-9	€108,00 each
Qty 10-25	€97,20 each
Qty 26-49	€92,00 each
Need More?	<a href="#">Request Quote</a>

Prices shown are exclusive of VAT/local taxes

### Product Downloads

#### General

Fixed **Type:**

Circular **Type of Optics:**

Available in Quick Start Kit: [#17-532](#) **Note:**

## Physical & Mechanical Properties

Construction:  
Black Anodized Aluminum

Max. Thickness of Compatible Optics (mm):  
5.0

## Threading & Mounting

Size of Compatible Optics (mm):  
30.0

Compatible Post:  
M6 x 1.0

## Regulatory Compliance

RoHS 2015:  
[Compliant](#)

Certificate of Conformance:  
[View](#)

Reach 247:  
[Compliant](#)

## Product Details

- Allows Stacking of 3 or 5 Filters
- Black Anodized Aluminum
- [Posts](#) and [Post Holders](#) Required for Mounting

Fixed/Multiple Filter Mounts are ideal for use with neutral density filters in stacking applications. Mounting cell holds filter with diameter "F" in place with a retainer ring. Mounting cell sits securely in filter holder. Fixed/Multiple Filter Mounts can also hold unmounted filters with diameter "A". A filter holder and filter cell are required for a complete stacking system, such as the one illustrated in the product image. These mounts are constructed of black anodized aluminum and are optimal for mounting 3 or 5 circular optics.

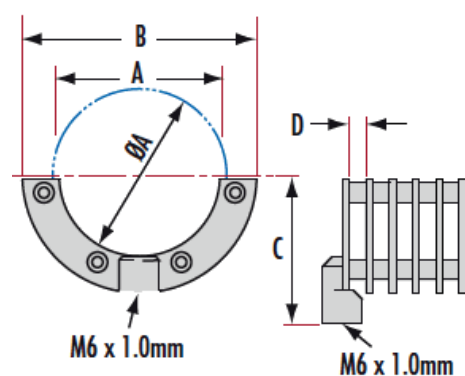
[Posts](#) and [Post Holders](#) are required for mounting to a breadboard.

## Technical Information

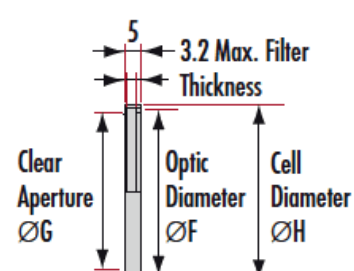
Stock No.	A	B	C	D	No. of Slots	No. of Cell Slots
<a href="#">#55-006</a>	30mm	50mm	34mm	5mm	4	3
<a href="#">#55-007</a>	50mm	70mm	44mm	5mm	5	5

Stock No.	F	G	H
<a href="#">#56-759</a>	12.7mm	10.2mm	30mm
<a href="#">#55-008</a>	25mm	22.5mm	30mm
<a href="#">#56-760</a>	25.4mm	22.9mm	30mm
<a href="#">#55-009</a>	50mm	47mm	52mm

### Multiple Filter Holder



### Mounting Cell



Units: mm

