

TECHSPEC® 30mm, Side Drive, Standard Top, 0.5" Travel, Metric Micrometer



Stock #66-393 **20+ In Stock**

− 1 + €438.⁰⁰

ADD TO CART

Volume Pricing	
Qty 1-2	€438,00 each
Qty 3+	€382,00 each
Need More?	Request Quote

! Prices shown are exclusive of VAT/local taxes

Product Downloads

General

Metric **Type:**

Physical & Mechanical Properties

Linear (X) **Type of Movement:**

Crossed Roller Bearing **Guide System:**

30mm Standard-Top Stages - Center Drive



30mm Standard-Top Stages - Side Drive



40mm Standard-Top Stages - Center Drive



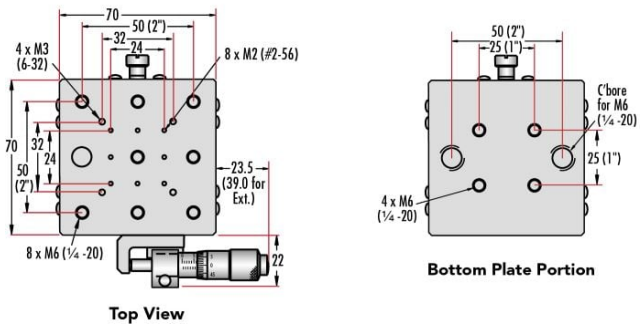
40mm Standard-Top Stages - Side Drive



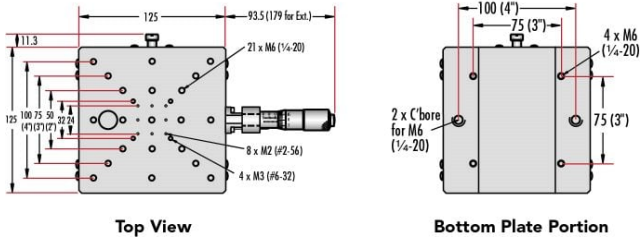
70mm Standard-Top Stages - Center Drive



70mm Standard-Top Stages - Side Drive



125mm Standard-Top Stages - Center Drive



125mm Standard-Top Stages - Side Drive

