

TECHSPEC® 40mm, Center Drive, Thru-Hole, Metric Stage



40mm, Center Drive, Thru-Hole Stage

Stock #66-420 **3 In Stock**

⊖ 1 ⊕ €400⁰⁰

ADD TO CART

Volume Pricing	
Qty 1-2	€400,67 each
Qty 3+	€350,41 each
Need More?	Request Quote

ⓘ Prices shown are exclusive of VAT/local taxes

Product Downloads

SPECIFICATIONS

General

Metric **Type:**

Physical & Mechanical Properties

Linear (X)	Type of Movement:
Crossed Roller Bearing	Guide System:
Center Drive	Drive Orientation:
40 x40	Stage Size (mm):
13	Travel (mm):
M12 x0.5	Center Hole:
Aluminium Stage	Construction:
0.5	Leadscrew Pitch (mm):
4	Load Capacity (kg):
1.57 x 1.57	Stage Size (inches):
2	Straight Line Accuracy (µm):
30	Pitch (arcsec):
25	Yaw (arcsec):

Hardware & Interface Connectivity

Lead Screw	Type of Drive:
------------	-----------------------

Threading & Mounting

(1) M12 x0.5, (4) M3 x0.5, (8) M2 x0.4	Mounting Threads:
--	--------------------------

Regulatory Compliance

Compliant	RoHS 2015:
View	Certificate of Conformance:
Compliant	REACH 241:

PRODUCT DETAILS

[Z bracket](#) is sold separately for Z-axis setup. [Bottom adapter plate](#), sold separately, is required to mount to a standard breadboard.

- Four Sizes Ranging from 30 x30mm to 125 x 125mm
- Thru-Hole Design for Optical Path Transmission
- English and Metric Hole Patterns Available
- Micrometer and Lead Screw Drive Options

TECHSPEC® Crossed-Roller Bearing Linear Translation Stages (Thru-Hole Model) feature a high performance crossed roller bearing guide system that provides these stages with high load capacity, rigidity, and accuracy. This advanced bearing guide system allows the single axis translations stages to have precise positioning with straight line accuracy of 2µm. TECHSPEC® Crossed-Roller Bearing Linear Translation Stages (Thru-Hole Model) are able to integrate with other stage sizes as well as integrate with TECHSPEC® Manual Translation Stages, providing users the flexibility to create configurations with a number of axes. Translation stages are available with either English or Metric hole patterns for easy incorporation into existing optomechanical systems.

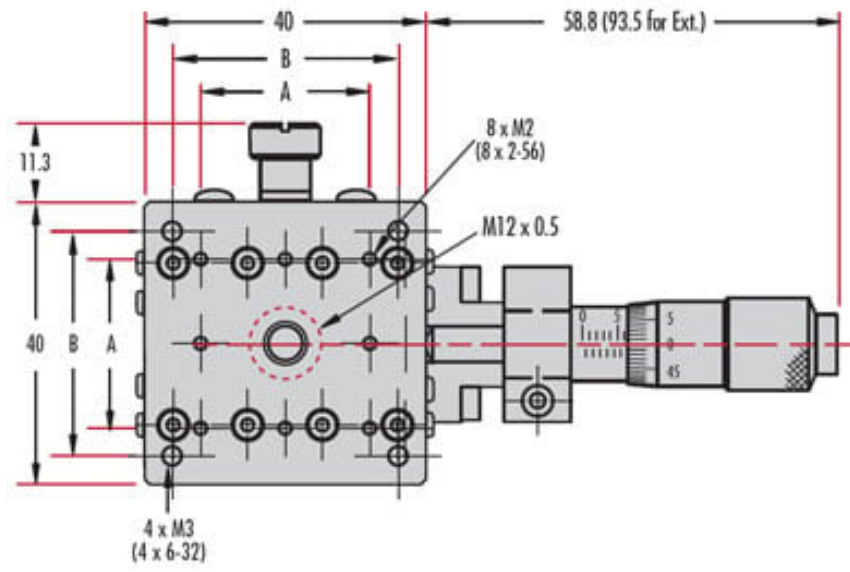
Thru-Hole Translational Stages are available with the following thread centered on their top plate: 5/16"-24 thread on our 30mm stages for use with our [#38-534](#) Pinhole Adapter, S-Mount (M12 x0.5) on our 40mm stages, C-Mount (1"-32 TPI) on our 70mm stages, and T-Mount (M42 x0.75) on our 125mm stages for compatibility with our C-, T-, and S-Mount Tube System Components.

All translation stages are class 100 (ISO 5) clean room compatible and available with a micrometer or lead screw drive with either center or side drive configuration. Leadscrew drives offer 0.5mm pitch, Metric micrometers offer 0.5mm pitch with 0.01mm divisions, and English micrometers offer 0.025" pitch with 0.001" divisions.

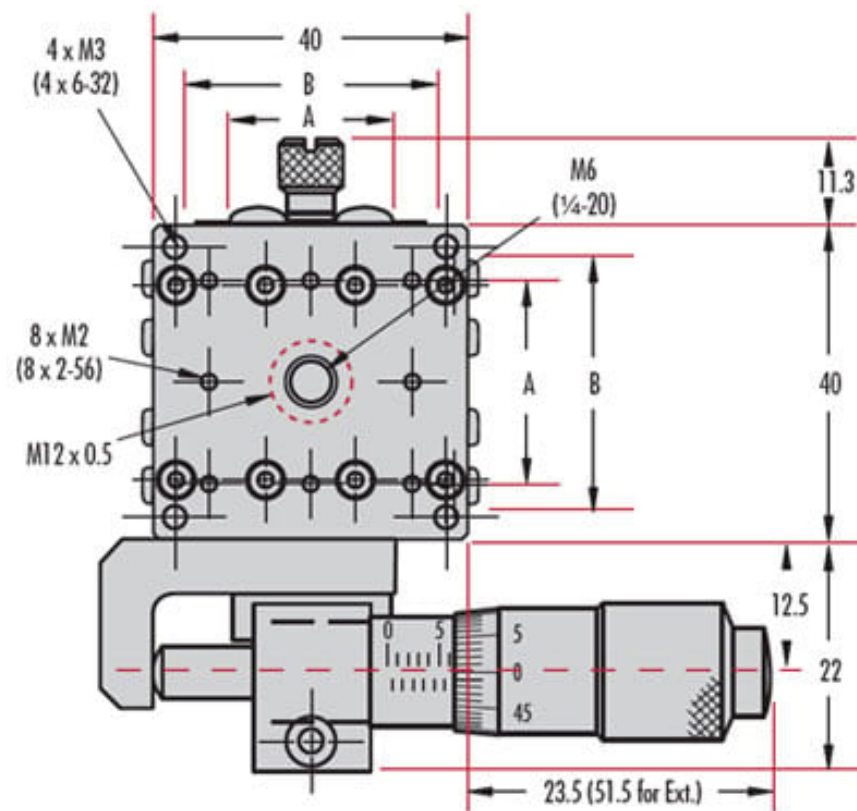
[TECHSPEC Z-Axis Brackets](#) are available to use with our translation stages to configure your own X-Y-Z multi-axis positioning system. TECHSPEC Bottom Adapter Plates provide an easy and convenient way of mounting 30mm and 40mm stages to standard breadboards. No adapter plate is required for our 70mm and 125mm translation stages which can be mounted directly onto breadboards.

TECHNICAL INFORMATION

Center Drive



Side Drive



Bottom Plate

