

40X DIN Achromatic Commercial Grade Objective



Stock #43-904 **20+ In Stock**

- 1 + €165.⁰⁰

ADD TO CART

Volume Pricing

| | |
|------------|-------------------------------|
| Qty 1+ | €165,00 each |
| Need More? | Request Quote |

Prices shown are exclusive of VAT/local taxes

Product Downloads

General

Achromatic, Spring-Loaded **Type:**

Finite Conjugate **Style:**

Physical & Mechanical Properties

45.80 **Length excluding Threads (mm):**

24 **Maximum Diameter (mm):**

Optical Properties

Effective Focal Length EFL (mm):

4.65

Magnification:

40X

Numerical Aperture NA:

0.65

Working Distance (mm):

0.48

Parfocal Length (mm):

46.26

Immersion Liquid:

N/A

Threading & Mounting

Mounting Threads:

0.7965-36 TPI, 55° Whitworth

Environmental & Durability Factors

Operating Temperature (°C):

5 to 40

Storage Temperature (°C):

-20 to 60

Operating Relative Humidity:

45% to 85%

Regulatory Compliance

RoHS 2015:

Compliant

Certificate of Conformance:

[View](#)

Product Details

- Achromatic and Plan Designs
- Use with T- and C-Mounting Systems
- Ideal for OEM Applications

Commercial Grade Standard Microscope Objectives are designed for a wide variety of applications. These objectives are provided in both achromatic and plan designs. Using DIN standard, 0.7965" (20.1mm) dia. threads, 36 TPI, 55° Whitworth, these objectives will fit into most microscope and spatial filter assemblies. Commercial Grade Standard Microscope Objectives, used in conjunction with our [T- and C-mounting systems](#), are an ideal solution for OEM production use. These objectives are offered in 4X, 10X, 40X, and 100X magnifications.

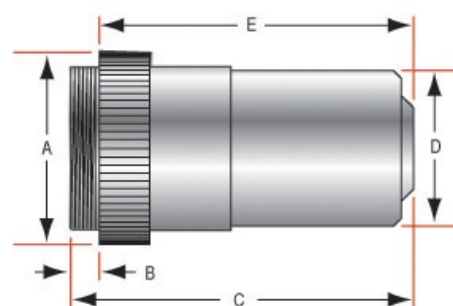
Note: 40X and 100X versions are spring loaded. 100X version is also oil immersion type.

Technical Information

| Stock No. | A | B | C | D | E |
|-------------------------|----|-----|------|----|------|
| #43-902 | 24 | 3.7 | 31 | 19 | 26 |
| #43-903 | 24 | 3.7 | 43 | 19 | 40 |
| #43-904 | 24 | 3.7 | 48.8 | 20 | 45.8 |
| #43-905 | 24 | 3.7 | 48.8 | 20 | 45.8 |

| | | | | | |
|-------------------------|----|-----|------|----|----|
| #67-706 | 24 | 3.7 | 34 | 22 | 30 |
| #43-907 | 24 | 3.7 | 47.6 | 22 | 44 |
| #43-908 | 24 | 3.7 | 49 | 22 | 46 |
| #43-909 | 24 | 3.7 | 48 | 22 | 46 |

Commercial Grade Standard Microscope Objectives



Units: mm

