

[See all 13 Products in Family](#)

## 40X Oil Immersion Objective, Nikon CFI Plan Fluor

See More by [Nikon](#)



Stock #75-343 NEW **1 In Stock**

⊖ 1 ⊕ €7.470<sup>00</sup>

**ADD TO CART**

| Volume Pricing |                               |
|----------------|-------------------------------|
| Qty 1+         | €7.470,00 each                |
| Need More?     | <a href="#">Request Quote</a> |

ⓘ Prices shown are exclusive of VAT/local taxes

### Product Downloads

### General

MRH01401 **Model Number:**

**Compatible Tube Lens Focal Length (mm):**  
Focal Length: 200mm

Microscope Objective **Type:**

Infinity Corrected **Style:**

Nikon **Manufacturer:**

## Physical & Mechanical Properties

0.625 **Field of View (mm):**

59.61 **Length excluding Threads (mm):**

33.5 **Maximum Diameter (mm):**

220 **Weight (g):**

## Optical Properties

0.17 **Compatible Cover Glass Thickness (mm):**

0.16 **Horizontal Field of View, 1/2" Sensor:**

0.22 **Horizontal Field of View, 2/3" Sensor:**

40X **Magnification:**

1.30 **Numerical Aperture NA:**

0.24 **Working Distance (mm):**

25 **Field Number (mm):**

60.06 **Parfocal Length (mm):**

Oil **Immersion Liquid:**

## Sensor

2/3" **Maximum Sensor Format:**

## Threading & Mounting

M25 x 0.75 **Mounting Threads:**

## Regulatory Compliance

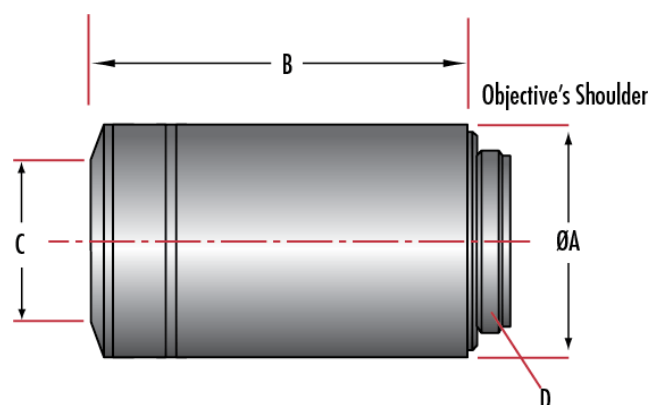
[View](#) **Certificate of Conformance:**

## Product Details

- Provide High Contrast Fluorescence Observation
- Ideal for Multiple Microscopy Techniques
- High Transmission from UV to the IR

Nikon CFI Plan Fluor Objectives feature high transmission from the ultraviolet to the infrared, along with exceptional flatness across the entire field of view. These objectives are ideal multipurpose objectives for a variety of microscopy techniques, including brightfield, fluorescence, polarizing, or DIC microscopy. These microscope objectives are suitable for high contrast fluorescence observation or for applications including photomicrography. Nikon CFI Plan Fluor Objectives have M25 x 0.75 mounting threads. The objectives are available in magnifications from 4X up to 60X.

## Technical Information



| Dimensions (mm) |                    |                  |               |                 |      |       |     |            |
|-----------------|--------------------|------------------|---------------|-----------------|------|-------|-----|------------|
| Stock No.       | Nikon Model Number | Immersion Liquid | Magnification | Parfocal Length | A    | B     | C   | D          |
| #75-343         | MRH01401           | Oil              | 40X           | 60.06           | 33.5 | 59.61 | 8.3 | M25 x 0.75 |
| #75-344         | MRH01902           | Oil              | 100X          | 60.06           | 30.0 | 59.71 | 6.1 | M25 x 0.75 |

|         |          |     |     |       |      |      |      |           |
|---------|----------|-----|-----|-------|------|------|------|-----------|
| #88-378 | MRH00045 | N/A | 4X  | 60.06 | 30.0 | 42.7 | 16.5 | M25 x0.75 |
| #88-379 | MRH00105 | N/A | 10X | 60.06 | 30.0 | 42.4 | 18.0 | M25 x0.75 |
| #88-380 | MRH00205 | N/A | 20X | 60.06 | 28.0 | 57.8 | 8.5  | M25 x0.75 |
| #88-381 | MRH00405 | N/A | 40X | 60.06 | 30.0 | 59.2 | 10.0 | M25 x0.75 |
| #88-382 | MRH00602 | N/A | 60X | 60.06 | 31.5 | 59.2 | 5.0  | M25 x0.75 |