

## 4X DIN Semi-Plan, Finite Intl Standard Objective



Stock #33-469 **6 In Stock**

- 1 + €183.<sup>00</sup>

**ADD TO CART**

### Volume Pricing

Qty 1-9	€183,00 each
Qty 10-24	€164,70 each
Need More?	<a href="#">Request Quote</a>

**!** Prices shown are exclusive of VAT/local taxes

### Product Downloads

### General

**Compatible Tube Lens Focal Length (mm):**  
Focal Length: 160mm

**Type:**  
Semi-Plan

**Style:**  
Finite Conjugate

**Note:**  
Designed to include a cover glass with 0.17mm in thickness

## Physical & Mechanical Properties

Field of View (mm):

5

Length excluding Threads (mm):

29.20

Maximum Diameter (mm):

25

Weight (g):

58.2

## Optical Properties

Design Wavelength DWL (nm):

546

Focal Length FL (mm):

40.00

Magnification:

4X

Numerical Aperture NA:

0.10

Depth of Field ( $\mu\text{m}$ ):

109.08

Field of View, 18 Diameter Field Eyepiece (mm):

4.5

Working Distance (mm):

15.1

Wavelength Range (nm):

400 - 700

Field Number (mm):

20

Parfocal Length (mm):

44.3

Immersion Liquid:

N/A

## Threading & Mounting

Mounting Threads:

RMS / 20.32mm x 36 TPI

## Environmental & Durability Factors

Operating Temperature ( $^{\circ}\text{C}$ ):

+10 to +40

Operating Humidity:

Max 85% at 35 $^{\circ}\text{C}$  with no condensation

## Regulatory Compliance

Certificate of Conformance:

[View](#)

## Product Details

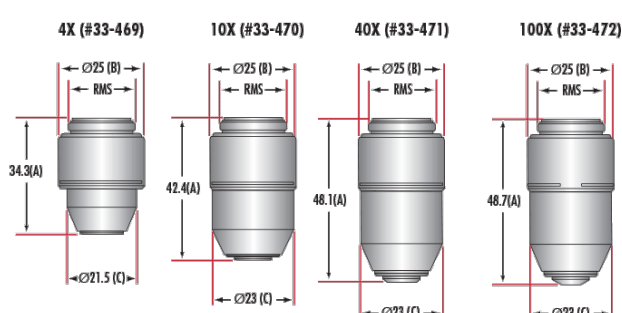
- For Use with RMS Thread Microscopes
- AR Coated Optics
- 4X to 100X Magnifications Available

International Standard Microscope Objectives can be used with most major brands of microscopes that utilize RMS mounting threads. Our product offering features DIN 45mm standard objectives with achromatic and semi-plan designs. The achromatic design ensures proper color correction for broadband white light sources, while semi-plan designs have an added feature to create a flatter image field. International Standard Microscope Objectives include AR-coated optics to ensure maximum transmission and reduce internal reflections in the optical assembly. All 20X to 100X objectives have spring-loaded (retractable) front ends to prevent slide damage.

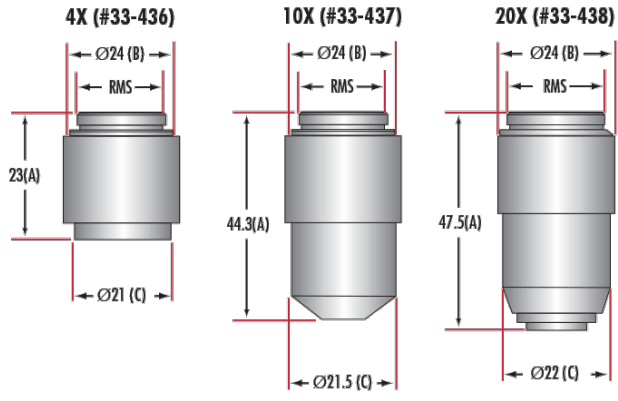
**Note:** Oil immersion is recommended for all 100X objectives with an NA higher than 1.0 (part number [#86-834](#)).

## Technical Information

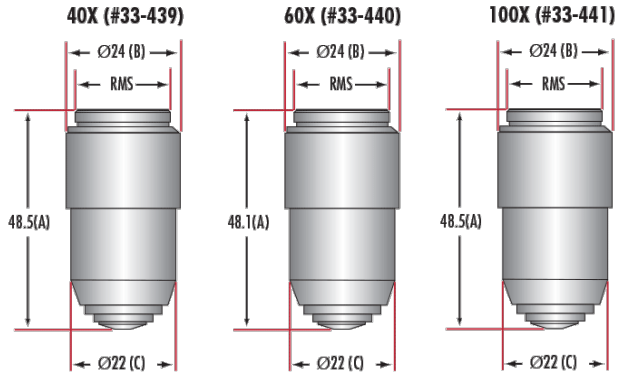
DIN Objectives - Micro Plan



**DIN Objectives - Achromatic**



**DIN Objectives - Achromatic**



Magnification	A	B	C
4X	23mm	24mm	21mm
10X	44.3mm	24mm	21.5mm
20X	47.5mm	24mm	22mm
40X	48.5mm	24mm	22mm
60X	48.1mm	24mm	22mm
100X	48.5mm	24mm	22mm

Magnification	A	B	C
4X	34.3mm	25mm	21.5mm
10X	42.4mm	25mm	23mm
40X	48.1mm	25mm	23mm
100X	48.7mm	25mm	23mm