

[See all 20 Products in Family](#)

## 50.0mm Optic Dia., Optic Mount



Optic Component Mounts

Stock **#64-567** **20+ In Stock**

⊖ 1 ⊕ €49<sup>25</sup>

**ADD TO CART**

| Volume Pricing |                               |
|----------------|-------------------------------|
| Qty 1-9        | €49,25 each                   |
| Qty 10+        | €44,40 each                   |
| Need More?     | <a href="#">Request Quote</a> |

ⓘ Prices shown are exclusive of VAT/local taxes

### Product Downloads

#### General

Fixed **Type:**

Circular **Type of Optics:**

Available in Quick Start Kit: [#17-516](#) **Note:**

#### Physical & Mechanical Properties

|                         |   |
|-------------------------|---|
| 46.0                    | Clear Aperture CA (mm):                   |
| 70.0                    | Outer Diameter (mm):                      |
| 18.00                   | Thickness (mm):                           |
| Black Anodized Aluminum | Construction:                             |
| 12.00                   | Max. Thickness of Compatible Optics (mm): |

## Threading & Mounting

|                  |                                 |
|------------------|---------------------------------|
| 50.0             | Size of Compatible Optics (mm): |
| M6 x 1.0, 1/4-20 | Compatible Post:                |

## Regulatory Compliance

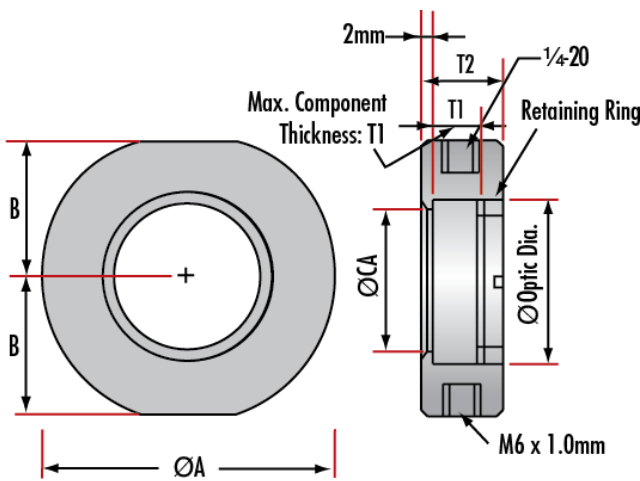
|                           |                             |
|---------------------------|-----------------------------|
| <a href="#">Compliant</a> | RoHS 2015:                  |
| <a href="#">View</a>      | Certificate of Conformance: |
| <a href="#">Compliant</a> | Reach 247:                  |

## Product Details

- Simple Mounting Arrangement
- Metric and English Configurations
- Black Anodized Aluminum Construction
- [Posts](#) and [Post Holders](#) Required for Mounting

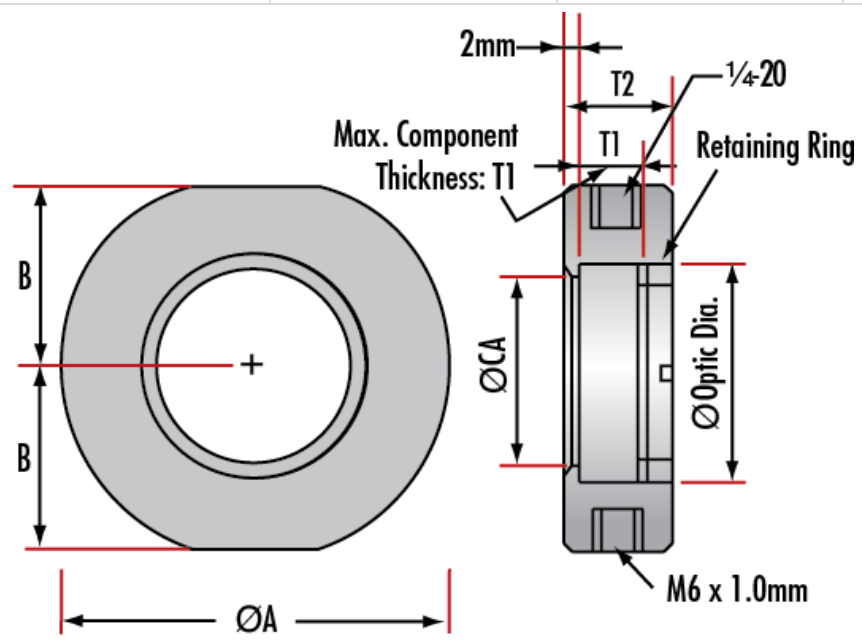
Optic Component Mounts are designed to hold lenses, filters, mirrors, and other optical components. The included retainer ring securely holds the component in place. Optic Component Mounts need the required [posts](#) and [post holders](#) for mounting to a breadboard. Both English (1/4-20) and Metric (M6) standard posts are accepted by the mounts. These mounts are constructed of black anodized aluminum in a simple mounting arrangement.

## Technical Information



| Maximum Optic Diameter | Clear Aperture (CA) | Mount Diameter A | B    | Maximum Optic Thickness T1 | Mount Thickness T2 | Stock No.               |
|------------------------|---------------------|------------------|------|----------------------------|--------------------|-------------------------|
| 5                      | 4                   | 30               | 13.5 | 5.7                        | 12                 | <a href="#">#64-551</a> |
| 6                      | 5                   | 30               | 13.5 | 5.7                        | 12                 | <a href="#">#64-552</a> |
| 9                      | 6                   | 30               | 13.5 | 6                          | 12                 | <a href="#">#64-553</a> |
| 10                     | 7                   | 30               | 13.5 | 6                          | 12                 | <a href="#">#64-554</a> |
| 12                     | 9                   | 35               | 16.0 | 10                         | 16                 | <a href="#">#64-555</a> |
| 12.7                   | 9.5                 | 35               | 16.0 | 10                         | 16                 | <a href="#">#64-556</a> |
| 15                     | 12                  | 35               | 16.0 | 10                         | 16                 | <a href="#">#64-557</a> |
| 18                     | 15                  | 40               | 19.0 | 12                         | 18                 | <a href="#">#64-558</a> |
| 20                     | 17                  | 40               | 19.0 | 12                         | 18                 | <a href="#">#64-559</a> |
| 25                     | 22                  | 45               | 21.5 | 10                         | 16                 | <a href="#">#64-560</a> |
| 25.4                   | 22                  | 45               | 21.5 | 10                         | 16                 | <a href="#">#64-561</a> |
| 25.4                   | 22                  | 45               | 21.5 | 13                         | 19                 | <a href="#">#65-562</a> |
| 30                     | 26                  | 50               | 24.0 | 6                          | 12                 | <a href="#">#64-563</a> |
| 30                     | 26                  | 50               | 24.0 | 12                         | 18                 | <a href="#">#64-564</a> |
| 38.1                   | 34                  | 60               | 29.0 | 12                         | 18                 | <a href="#">#64-565</a> |
| 40                     | 36                  | 60               | 29.0 | 12                         | 18                 | <a href="#">#64-566</a> |
| 50                     | 46                  | 70               | 34.0 | 12                         | 18                 | <a href="#">#64-567</a> |

|      |    |     |      |    |    |         |
|------|----|-----|------|----|----|---------|
| 50   | 46 | 70  | 34.0 | 18 | 24 | #64-568 |
| 50.8 | 46 | 70  | 34.0 | 12 | 28 | #64-569 |
| 76.2 | 71 | 100 | 49   | 20 | 26 | #64-570 |



;