

[See all 53 Products in Family](#)

6.37mm FL, No IR-Cut Filter, f/2.4, Micro Video Lens



Stock #55-573 **20+ In Stock**

[Similar Products](#)

⊖ 1 ⊕ €71.⁰⁰

ADD TO CART

Volume Pricing

Qty 1-49	€71,00 each
Qty 50+	€56,00 each
Need More?	Request Quote

ⓘ Prices shown are exclusive of VAT/local taxes

Product Downloads

General

Product Family:
Long Working Distance Optimized Imaging Lenses

Note:
Standard

Type:
M12 Imaging Lens

IR Cut Filter:
No

Physical & Mechanical Properties

Fixed Iris Option:

13.12 Length (mm):

14.8 Maximum Diameter (mm):

14.8 Outer Diameter (mm):

Optical Properties

42.2 Horizontal Field of View @ Max Sensor Format:

6.00 Maximum Image Circle (mm):

80 lp/mm @ 20% Contrast Resolution, On-Axis:

63 lp/mm @ 20% Contrast Resolution, 0.7 Field:

25 lp/mm @ 20% Contrast Resolution, Full Field:

6.40 Focal Length FL (mm):

400 - ∞ Working Distance (mm):

f/2.4 Aperture (f/#):

-2.40 @ Full Field Distortion (%):

-2.4 Maximum Distortion (%):

VIS Lens Wavelength Range:

Sensor

1/3" Maximum Sensor Format:

3.45 Pixel Size (µm):

Threading & Mounting

M12 x 0.50 Filter Thread:

S-Mount (M12 x 0.5) Mount:

Regulatory Compliance

[Exempt](#) RoHS 2015:

[View](#) Certificate of Conformance:

[Contains SVHC\(s\)](#) Reach 242:

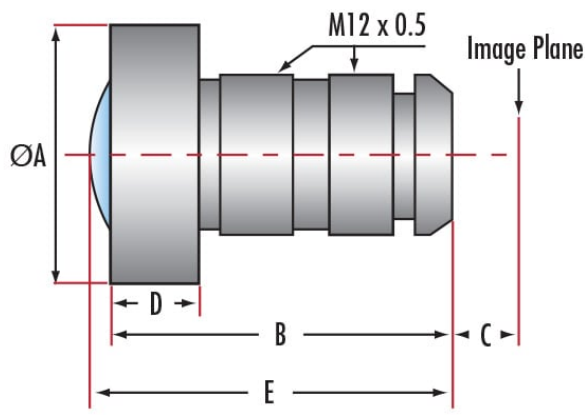
Product Details

- Up to 2/3", S-Mount Lens
- Wide Field of View Board Camera Lens
- 1.68mm to 50mm Focal Length

Long Working Distance Optimized Imaging Lenses are designed for use in micro sensor board cameras. These lenses provide excellent image quality in a small, versatile package. Optimized to cover 2/3" sensor formats, they are an ideal choice for wide angle and close focus applications. Long Working Distance Optimized Imaging Lenses have 1.68 to 50mm focal lengths. All lenses are threaded for M12 x 0.5. Some models with Back Focal Distances (dimension "C") less than 4mm may be incompatible with some color cameras due to the camera's Bayer filter. We recommend such lenses for use with monochrome cameras only. Lenses are designed for the 400nm to 700nm range.

Note: A line of [M12 Imaging Lens Accessories](#) is available for these products.

Technical Information



Infinite Conjugate M12 Imaging Lenses



Units: mm
C-Mount Adapter (#53-675)

Stock #	Focal Length (mm)	Aperture (f/#)	A (mm)	B (mm)	C (mm)	D (mm)	E (mm)	
#59-776	#66-880	1.68	2.5	15.0	13.2	3.3	2.8	15.1
#56-774	#66-881**	1.74	2.8	21.0	19.61	3.33	3.2	N/A
#64-106	-	1.9	2.0	17.0	14.58	4.2	4.0	15.24
#55-569	#66-883	2.1	2.0	17.0	18.3	4.8	3.7	19.4
#57-681	#66-884***	2.5	2.5	17.0	19.1	4.4	3.7	20.3
#55-570	#66-885	2.9	2.0	15.0	17.4	5.2	5.8	17.8
#59-778	#66-886	3.0	2.0	14.0	15.3	5.3	3.9	N/A
#57-684	#66-890	6.05	1.8	15.0	15.6	8.0	6.0	N/A
#55-573	#66-891	6.37	2.4	14.8	13.12	5.3	3.3	N/A
#55-574	#66-892	8.0	2.5	15.0	13.5	5.8	3.0	N/A
#63-762	#59-779	10.1	2.8	15.0	13.4	6.1	3.2	N/A
#65-251	#64-107	10.4	2.8	14.0	8.93	6.4	4.0	N/A
#56-775	#66-893	12.0	2.0	14.0	12.1	6.2	4.0	N/A
#64-108	#66-894	16.0	2.0	14.0	14.4	8.0	4.5	N/A
#83-107	-	16.0	4.0	14.0	14.4	8.0	4.5	N/A
#56-776	#66-895	25.0	2.5	25.0	23.2	8.1	6.7	N/A
#59-780	#66-896	35.0	2.0	25.0	23.4	15.8*	6.0	N/A
#59-781	#66-897	50.0	2.5	27.0	52.8	4.1	8.0	N/A

*Note: 35.0mm lens has a large flange focal length. Please make proper adjustments when mounting.
 **#66-881, B(mm): 20.49
 ***#66-884, B(mm): 19.8, E(mm): 21

Stock #	Focal Length (mm)	Aperture (f/#)	A (mm)	B (mm)	C (mm)	D (mm)	E (mm)
#88-587	3.0	2.0	15.0	15.35	5.2	4	16
#88-588	3.5	2.5	15.0	15.4	6.9	4	N/A
#11-323	3.7	1.6	19	24.04	5.46	6.5	24.16
#11-324	4.0	1.8	20	23.8	5.01	7	24.72
#88-589	4.0	2.0	15.0	16.1	5.9	3.8	N/A
#88-590	4.3	2.0	22.0	20.96	5.5	6	21.93
#11-325	4.6	1.6	19	24.18	5.44	7	24.32
#88-591	4.6	2.0	12.0	13.1	1.9	6	N/A
#88-592	5.6	2.0	17.0	22.21	5.3	5	22.38
#89-750	6.0	2.0	14.0	15.1	6.7	3.93	N/A
#11-326	7.0	1.6	19	25.24	5.47	7.2	24.2
#89-751	8.0	2.0	15.0	14.4	6.8	4.5	N/A
#89-752	12.0	2.0	15.0	14.3	5.7	4.5	N/A

