

**TECHSPEC® 9mm Diameter, S-Mount Thin Optic Mount**



Stock #63-942 **17 In Stock**

⊖ 1 ⊕ €40<sup>75</sup>

**ADD TO CART**

Volume Pricing	
Qty 1-4	€40,75 each
Qty 5-9	€36,60 each
Qty 10-25	€34,00 each
Need More?	<a href="#">Request Quote</a>

! Prices shown are exclusive of VAT/local taxes

Product Downloads

**General**

Fixed **Type:**

Optic Mount (Fixed) **Function:**

**Type of Optics:**

## Physical & Mechanical Properties

5.6                      Extension Length (mm):

8.6                      Total Length (mm):

1.0                      Min. Thickness of Compatible Optics (mm):

3.0                      Max. Thickness of Compatible Optics (mm):

8.0                      Clear Aperture CA (mm):

16.0                     Outer Diameter (mm):

## Threading & Mounting

S-Mount                Thread Type:

9.0                      Diameter of Compatible Optics (mm):

## Regulatory Compliance

Compliant              RoHS 2015:

View                    Certificate of Conformance:

Compliant              REACH 241:

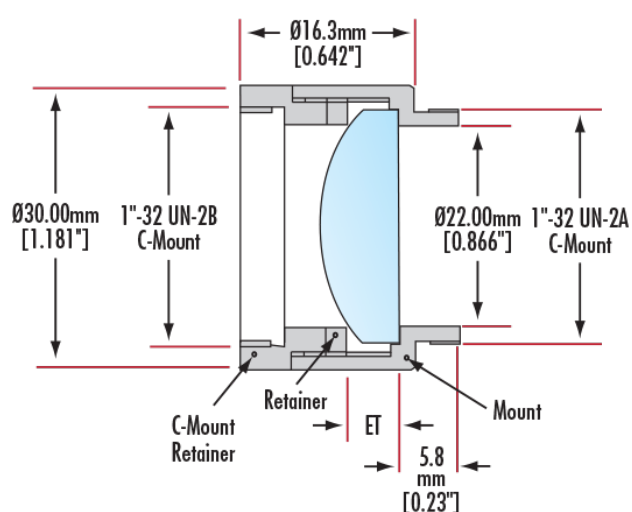
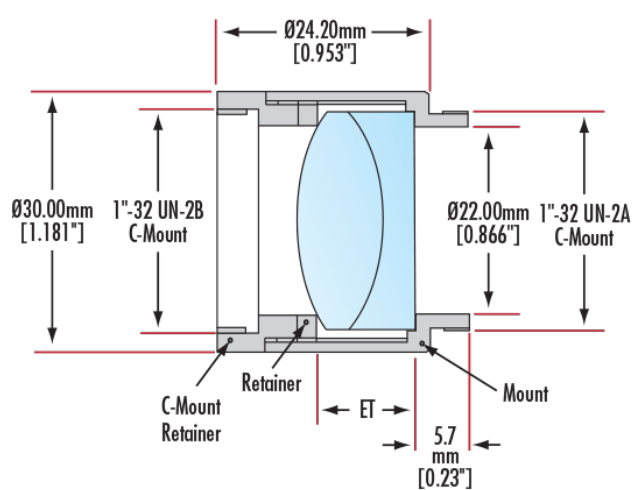
## Product Details

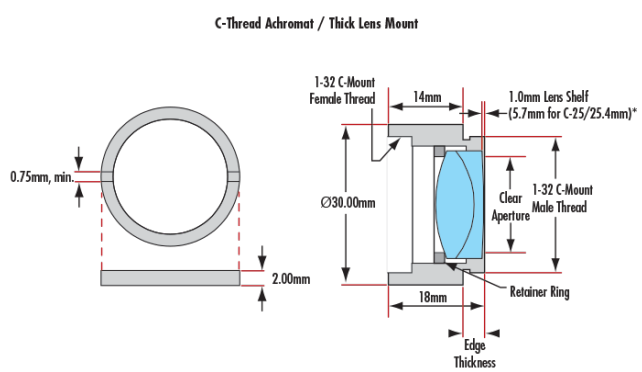
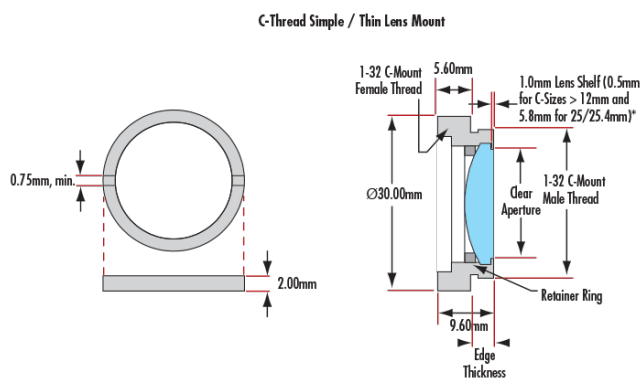
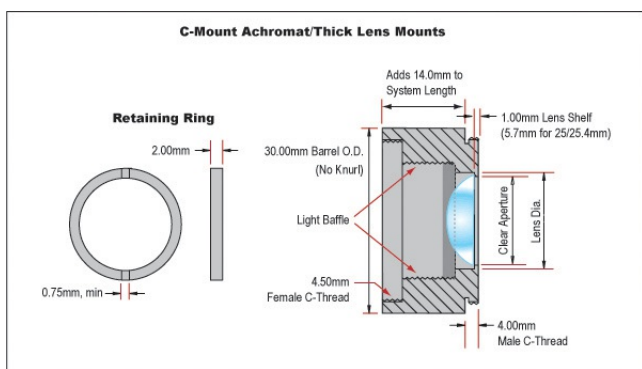
- Mounts for Simple Lenses, Achromats, Filters, or Reticles
- Designed to Integrate with Any C, S, or T-Mount Components
- Optic is Held in Place with Included Retaining Ring

TECHSPEC® C, S, and T-Mount Circular Optic Mounts are designed to mount a variety of circular optical components into C, S, or T-Mount compatible systems. An included threaded retainer ring, designed to accept a standard spanner wrench, securely holds the optical component. These circular optic mounts are compatible with a wide variety of Edmund Optics optomechanical components utilizing C, S, or T-Mount threads, such as [extension tubes](#) and [kinematic mounts](#). TECHSPEC® C, S, and T-Mount Circular Optic Mounts are threaded for 1" x 32TPI, M12 x 0.5, or M42 x 0.75 mounting, with 30mm, 16mm, and 48mm outer diameters, respectively. These mounts are ideal for creating and personalization of a diverse range of optical systems.

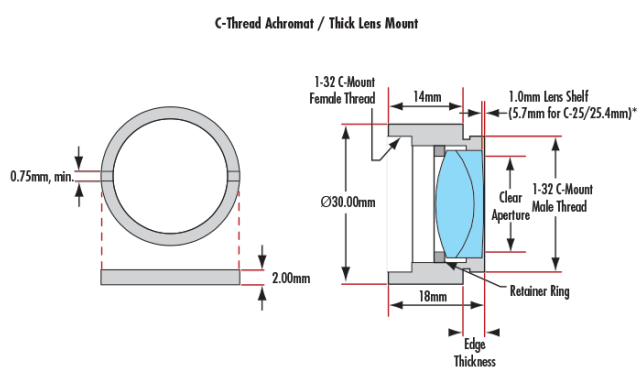
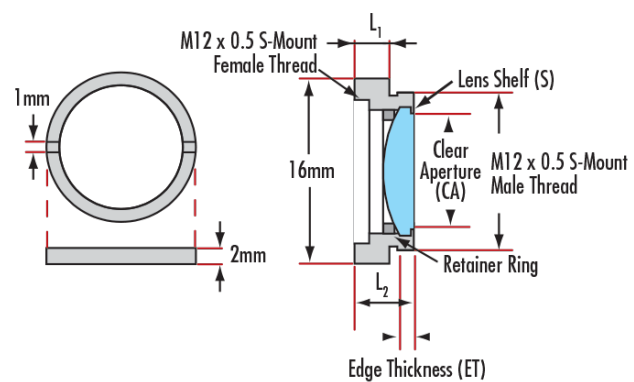
**Note:** #56-353, #56-354, #52-933, and #52-292 are all 3-part assemblies

## Technical Information

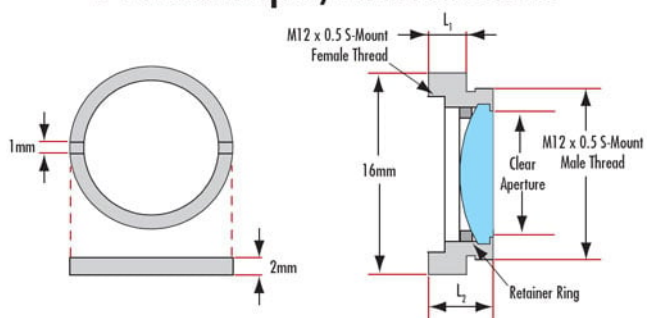




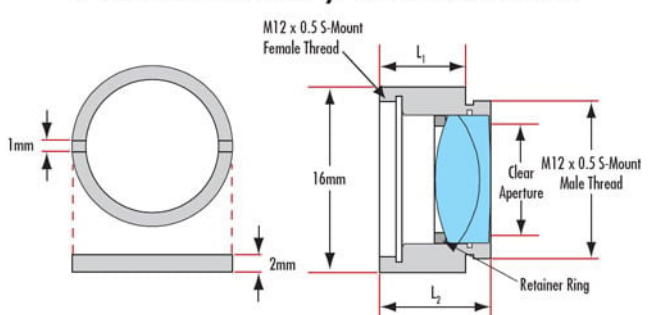
### S-Thread Simple / Thin Lens Mount

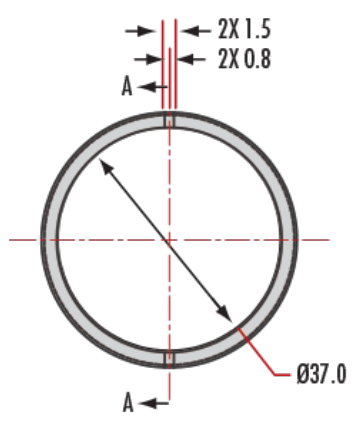


### S-Thread Simple /Thin Lens Mount



### S-Thread Achromat / Thick Lens Mount





#58-741

