

**TECHSPEC® C-Mount Achromat Pair 1:1 with 50 and 50mm Focal Lengths**



Stock #87-188 [CONTACT US](#)

- 1 + €437<sup>.00</sup>

**ADD TO CART**

| Volume Pricing |                               |
|----------------|-------------------------------|
| Qty 1-5        | €437,00 each                  |
| Qty 6-25       | €350,00 each                  |
| Qty 26-49      | €338,00 each                  |
| Need More?     | <a href="#">Request Quote</a> |

! Prices shown are exclusive of VAT/local taxes

Product Downloads

**General**

Relay Lens **Type:**

**Physical & Mechanical Properties**

0.8 - 20 **Aperture (mm):**

38.00 **Housing Diameter (mm):**

|                                       |   |
|---------------------------------------|---|
| 45.9                                  | <b>Housing Length (mm):</b>               |
| 35.00                                 | <b>Image Distance (mm):</b>               |
| <b>Optical Properties</b>             |   |
| 40-20                                 | <b>Surface Quality:</b>                   |
| f/2.4 - f/61                          | <b>Working f#:</b>                        |
| VIS 0° (425-675nm)                    | <b>Coating:</b>                           |
| R <sub>avg</sub> ≤ 0.4% @ 425 - 675nm | <b>Coating Specification:</b>             |
| 50.0                                  | <b>Effective Focal Length EFL A (mm):</b> |
| 50.0                                  | <b>Effective Focal Length EFL B (mm):</b> |
| 1:1                                   | <b>Magnification:</b>                     |
| 35.00                                 | <b>Object Distance (mm):</b>              |
| 425 - 675                             | <b>Wavelength Range (nm):</b>             |

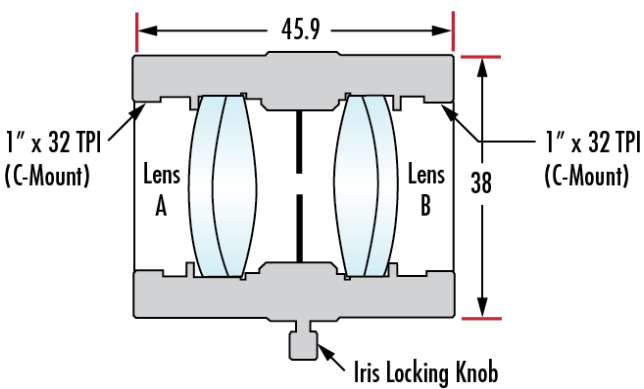
|                              |                                    |
|------------------------------|------------------------------------|
| <b>Regulatory Compliance</b> |                                    |
| <a href="#">View</a>         | <b>Certificate of Conformance:</b> |

## Product Details

- C-Mount Designs for Easy Integration into Imaging Applications
- Feature Integrated Iris for Increased Control of Light Throughput
- Ideal for Relay or Projection Applications

TECHSPEC® C-Mount Achromatic Pairs are designed to be easily integrated into a variety of OEM applications. TECHSPEC C-Mount Achromatic Pairs utilize an integrated iris to allow for user adjustment of numerical aperture and depth of focus. Each lens has been oriented for maximum system performance. The aluminum housing removes the risks associated with handling loose optics. Broadband visible coated lenses provide high transmission and low reflection loss over wide spectral regions.

## Technical Information



## Coating Curves