

## C-Mount Light Guide Mounting Adapter



Light Guide Mounting Adapter



Stock #53-047 **8 In Stock**

⊖ 1 ⊕ €40<sup>25</sup>

**ADD TO CART**

### Volume Pricing

Qty 1-4	€40,25 each
Qty 5+	€35,90 each
Need More?	<a href="#">Request Quote</a>

**!** Prices shown are exclusive of VAT/local taxes

### Product Downloads

### General

Fiber Light Guide

**Type of Optics:**

Tube Mount

**Type:**

Accessory

**Type of Illumination:**

Accessory (Optional) **Note:**

Optic Mount (Fixed) **Function:**

## Physical & Mechanical Properties

25.4 **Inner Diameter (mm):**

19.25 **Total Length (mm):**

29.85 **Outer Diameter (mm):**

15.0 **Extension Length (mm):**

## Threading & Mounting

C-Mount **Thread Type:**

## Regulatory Compliance

**RoHS 2015:**  
Compliant

**Certificate of Conformance:**  
View

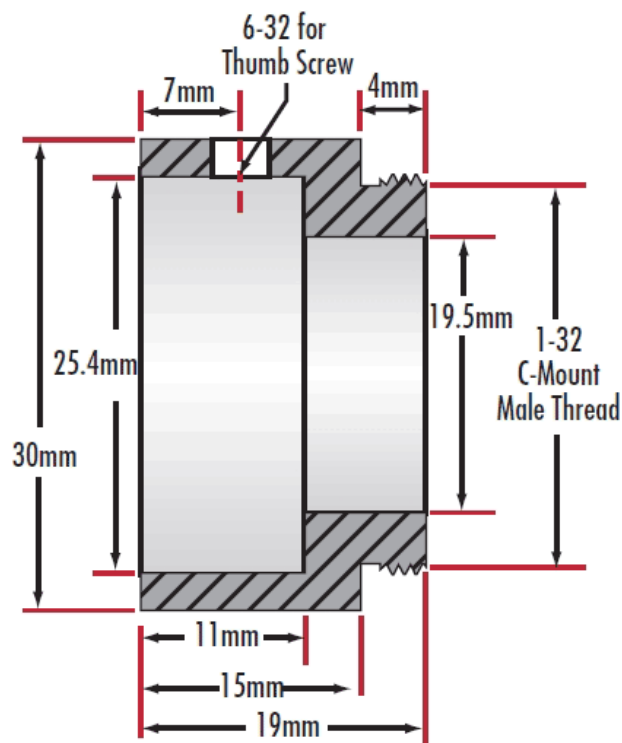
**Reach 251:**  
Compliant

## Product Details

- Adapt Light Guides to Optical Components
- C-Mount and T-Mount Versions Available
- Articulating Arm Package Available

These optional Light Guide Mounting Adapters make mounting and integration easy. The versatile mounting adapter is used in some of our [machine vision lens assemblies](#). It connects on one side to fiber optic light guides, using the matching [fiber optic adapter](#), and is secured via a thumb screw. The opposite side features a C-Mount or T-Mount male thread for easy integration with our C-Mount and T-Mount components. Our Articulating Arm Package also provides convenient, adjustable mounting. It includes one 3" long shaft, two knuckle ball-joints with 1/4-20 threaded studs, and a ring clamp.

## Technical Information



C-Mount Dimensions