

TECHSPEC® 21mm Diameter, C-Mount Thin Optic Mount



Stock #53-860 **20+ In Stock**

- 1 + €59.⁰⁰

ADD TO CART

Volume Pricing	
Qty 1-4	€59,50 each
Qty 5-9	€52,60 each
Qty 10-25	€48,90 each
Need More?	Request Quote

ⓘ Prices shown are exclusive of VAT/local taxes

Product Downloads

General

Function:
Optic Mount (Fixed)

Type of Optics:
Circular

Physical & Mechanical Properties

5.6 **Extension Length (mm):**

9.6 **Total Length (mm):**

1.0 **Min. Thickness of Compatible Optics (mm):**

3.0 **Max. Thickness of Compatible Optics (mm):**

18.0 **Clear Aperture CA (mm):**

Black Anodized Aluminum (6061 T6) **Construction:**

30.0 **Outer Diameter (mm):**

21.0 **Diameter of Compatible Reticle (mm):**

3.0 **Thickness of Compatible Reticle (mm):**

Threading & Mounting

C-Mount **Thread Type:**

21.0 **Diameter of Compatible Optics (mm):**

Regulatory Compliance

[Compliant](#) **RoHS 2015:**

[View](#) **Certificate of Conformance:**

[Compliant](#) **Reach 250:**

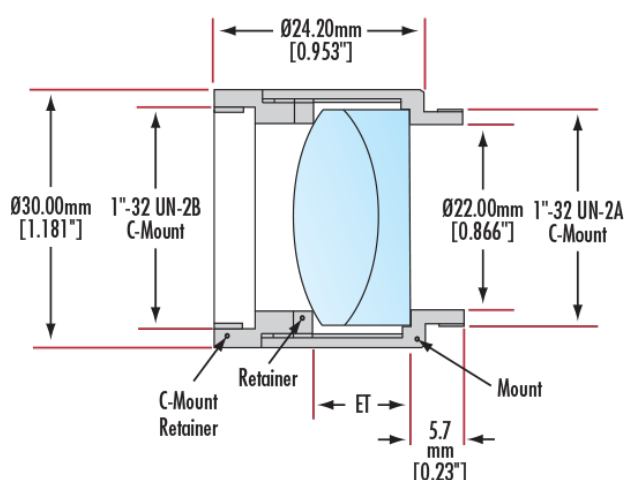
Product Details

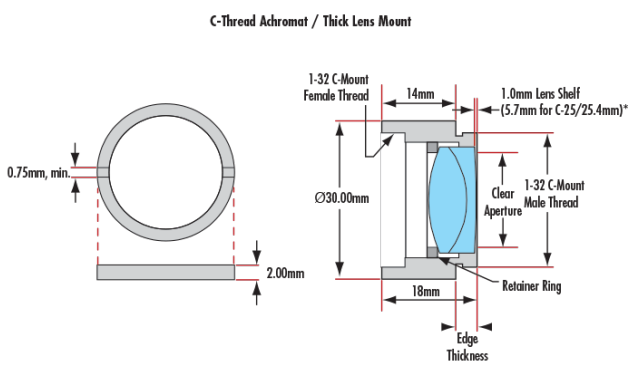
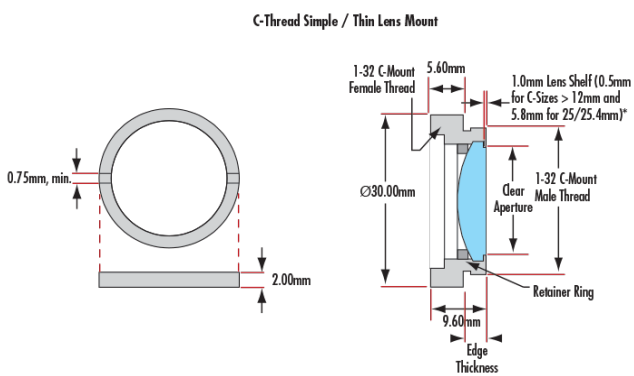
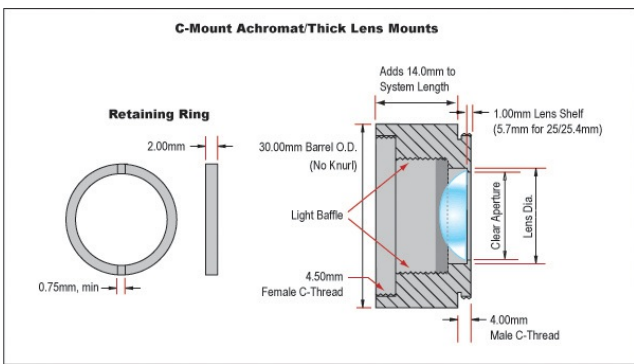
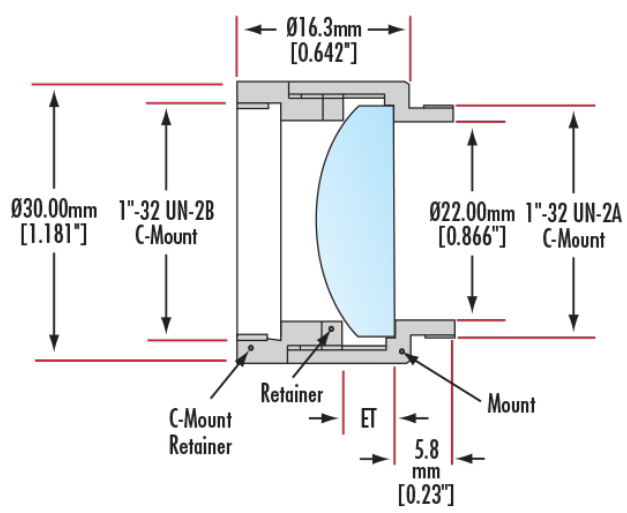
- Mounts for Simple Lenses, Achromats, Filters, or Reticles
- Designed to Integrate with Any C, S, or T-Mount Components
- Optic is Held in Place with Included Retaining Ring

TECHSPEC® C, S, and T-Mount Circular Optic Mounts are designed to mount a variety of circular optical components into C, S, or T-Mount compatible systems. An included threaded retainer ring, designed to accept a standard spanner wrench, securely holds the optical component. These circular optic mounts are compatible with a wide variety of Edmund Optics optomechanical components utilizing C, S, or T-Mount threads, such as [extension tubes](#) and [kinematic mounts](#). TECHSPEC® C, S, and T-Mount Circular Optic Mounts are threaded for 1" x 32 TPI, M12 x 0.5, or M42 x 0.75 mounting, with 30mm, 16mm, and 48mm outer diameters, respectively. These mounts are ideal for creating and personalization of a diverse range of optical systems.

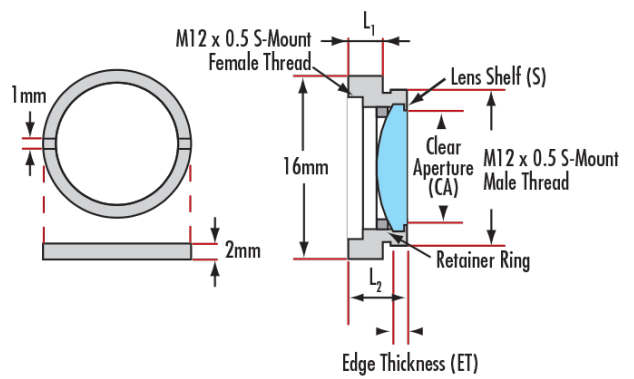
Note: #56-353, #56-354, #52-933, and #52-292 are all 3-part assemblies

Technical Information

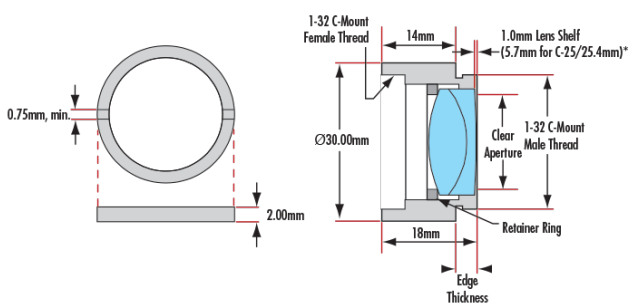




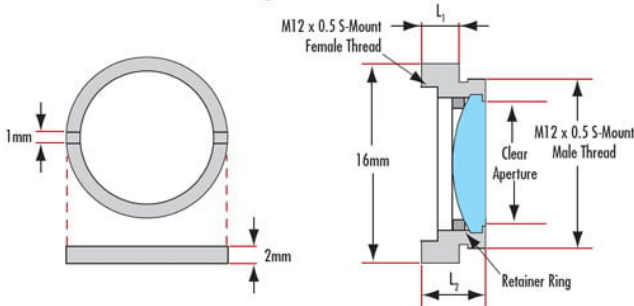
S-Thread Simple / Thin Lens Mount



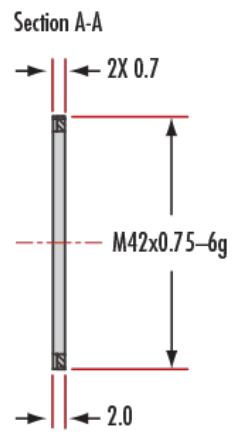
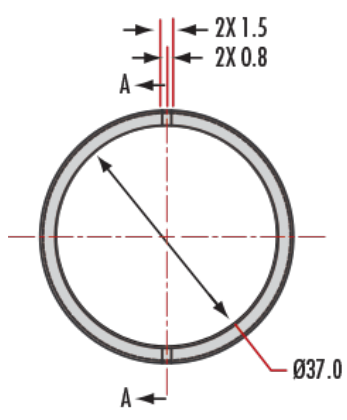
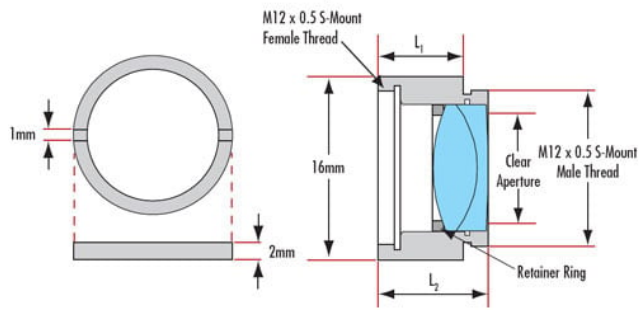
C-Thread Achromat / Thick Lens Mount



S-Thread Simple /Thin Lens Mount



S-Thread Achromat / Thick Lens Mount



#58-741