

## Deluxe Adjustable 1/4-20 Mounting Plate



Deluxe Adjustable 1/4-20 Mounting Plate, #54-123

Stock #54-123 CLEARANCE **2 In Stock**

⊖ 1 ⊕ €735<sup>00</sup>

**ADD TO CART**

### Volume Pricing

|            |                               |
|------------|-------------------------------|
| Qty 1+     | €735,00 each                  |
| Need More? | <a href="#">Request Quote</a> |

ⓘ Prices shown are exclusive of VAT/local taxes

### Product Downloads

### General

Mounting Adapter **Type:**  
Compatible Post Diameter (mm):  
19.05 (3/4")

### Physical & Mechanical Properties

Dimensions (inches):  
3.8 L x 2.52 W x 1.5 T  
Length (inches):

2.00 **Travel (inches):**

### Threading & Mounting

**Mounting Threads:**  
1/4-20

### Regulatory Compliance

**Certificate of Conformance:**  
[View](#)

## Product Details

- Standard and Deluxe Versions Available
- 1/4-20 Mounting
- Compatible with our Most Popular Line of Boom Stands

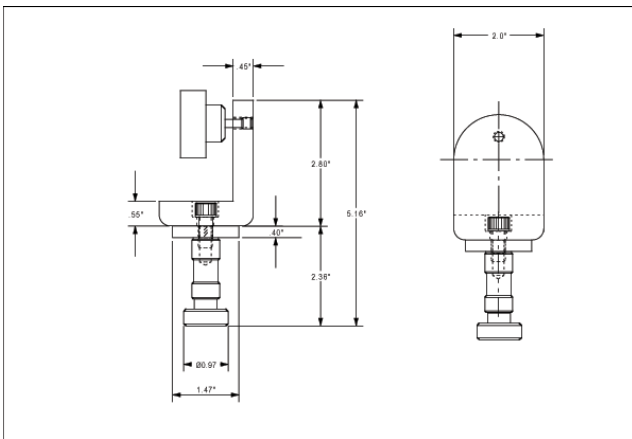
[#54-122](#) adapter can be used to mount a wide variety of cameras, lenses, microscopes, and lighting. Components are easily mounted via its 1/4-20 mounting screw. 2.8" L x 2.0" W x 0.45" T.

[#54-123](#) deluxe version of the base plate has the same 1/4-20 screw type, but includes a rack and pinion movement with tilt adjustment. The rack and pinion has a 2" travel. 3.8" L x 2.52" W x 1.5" T.

[#54-124](#) post adapter can be used to attach mounts designed to fit on 3/4 inch posts. Allows tilt adjustment. This is required to mount our 68mm ([#39-357](#)) and 50mm ([#03-609](#)) thru-hole rack and pinions and our [1/4-20 movements](#). Adapter is 7" long. Post 4" long x 0.75" O.D.

All adapters are compatible with the following boom stands: [Articulating Arm Boom Stand](#), [Standard Boom Stand](#), and [Ball Bearing Boom Stand](#).

## Technical Information



#54-123