

[See all 10 Products in Family](#)

Glan-Taylor Polarizer 350 - 2300nm, 8mm



Glan-Taylor Polarizer

Stock **#89-547** **1 In Stock**

1 €970⁰⁰

ADD TO CART

Volume Pricing

Qty 1-5	€970,00 each
Qty 6+	€925,00 each
Need More?	Request Quote

! Prices shown are exclusive of VAT/local taxes

Product Downloads

General

Linear Polarizer **Type:**

Physical & Mechanical Properties

8.0 **Clear Aperture CA (mm):**

25.40 **Diameter (mm):**

Length (mm):
17.00

Construction:
Crystalline Glan-Taylor Polarizer

Optical Properties

Coating:
Single Layer MgF₂

Extinction Ratio:
<5 x 10⁻⁵

Substrate:
Calcite

Surface Quality:
20-10

Transmitted Wavefront, P-V:
λ/2 @ 632.8nm

Beam Deviation (arcmin):
<3

Transmitted Wavefront Distortion (RMS):
λ/4 @ 632.8 nm

Wavelength Range (nm):
350 - 2300

Damage Threshold, By Design:
2 J/cm² @ 1064nm, 10ns, 10Hz

Regulatory Compliance

RoHS 2015:
[Compliant](#)

Certificate of Conformance:
[View](#)

Reach 247:
[Compliant](#)

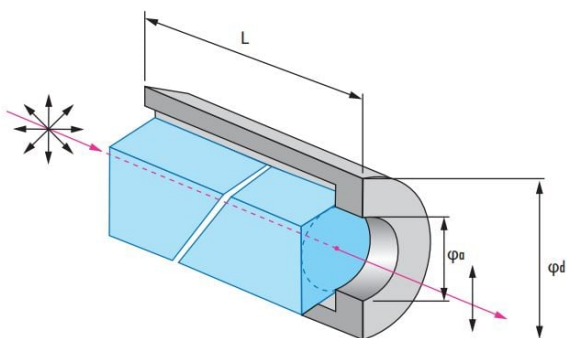
Product Details

- High Extinction Ratios up to 200 000:1
- High Laser Damage Thresholds up to 5 J/cm² @ 1064nm

Glan-Type Polarizers are mounted, polarizing prisms used in applications that require broad spectral ranges, high extinction ratios, or high polarization purities. Glan-Taylor Polarizers are medium-power, air-spaced UV to NIR polarizers that transmit the extraordinary beam. The ordinary beam is then reflected and absorbed by black glass plates that have been cemented to the prism. Glan-Laser Polarizers are similar to Glan-Taylor, but are designed for higher power applications and appropriate for use in Q-switched laser cavities. Glan-Laser Polarizers utilize an advanced polishing technique for minimizing surface scatter and feature two escape windows for passing the high power rejected light. Glan-Thompson Polarizers are low power polarizers that are ideal for UV, visible, or NIR applications, feature a cemented design, and transmit the extraordinary beam while absorbing the reflected ordinary beam.



Technical Information



Glan-Taylor Polarizers



Glan-Laser Polarizers



Glan-Thompson Polarizers