

[See all 10 Products in Family](#)

**TECHSPEC® M4 Male to 1/4-20 Male, Thread Adapter**



M4 Male to 1/4-20 Male, Thread Adapter

Stock #59-003 CLEARANCE **20+ In Stock**

⊖ 1 ⊕ €9<sup>75</sup>

**ADD TO CART**

Volume Pricing	
Qty 1-9	€9,75 each
Qty 10+	€9,10 each
Need More?	<a href="#">Request Quote</a>

ⓘ Prices shown are exclusive of VAT/local taxes

Product Downloads

**General**

Metric Type:

**Threading & Mounting**

M4 x0.7 (A), 1/4-20 (B) Mounting Threads:

**Regulatory Compliance**

---

Compliant **RoHS 2015:**

View **Certificate of Conformance:**

---

Compliant **REACH 241:**

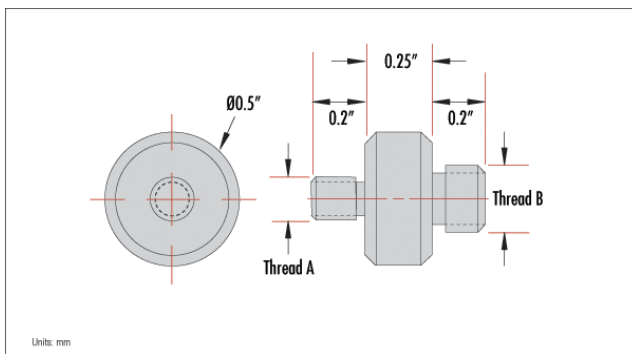
---

## Product Details

- Stainless Steel Thread-to-Thread Adapters
- Interchangeable with Post Adapter Studs
- Can use on Top or Bottom of Posts

TECHSPEC® Thread Adapters are utilized for matching posts to optic mount threads or to table threads. Each Adapter is laser engraved with thread values for easy integration. Adapters for the Bottom of Posts (or even Post Holders) are easier to work on tables than typical SHSS. TECHSPEC® Thread Adapters threads are all male and have a stainless steel construction. The adapters are interchangeable with post adapter studs and can be used on the top or bottom of posts.

## Technical Information



;