

## MT-2 Accessory Tube Lens

See More by [Mitutoyo](#)



MT-2 Accessory Tube Lens, #56-863

Stock **#56-863** **3 In Stock**

- 1 + €1.090<sup>00</sup>

**ADD TO CART**

### Volume Pricing

Qty 1+	€1.090,00 each
--------	----------------

Need More?	<a href="#">Request Quote</a>
------------	-------------------------------

ⓘ Prices shown are exclusive of VAT/local taxes

### Product Downloads

#### General

MT-2 **Model Number:**

Tube Lens **Type:**

#### Physical & Mechanical Properties

40.00 **Diameter (mm):**

Length (mm):  
32.00

## Optical Properties

Focal Length FL (mm):  
400.00

Magnification:  
2X

Wavelength Range (nm):  
436 - 656

Field Number (mm):  
30.00

Entrance Pupil Diameter (mm):  
18.00

## Threading & Mounting

Mounting Threads:  
three 2.4mm holes

## Regulatory Compliance

RoHS 2015:  
[Exempt](#)

Certificate of Conformance:  
[View](#)

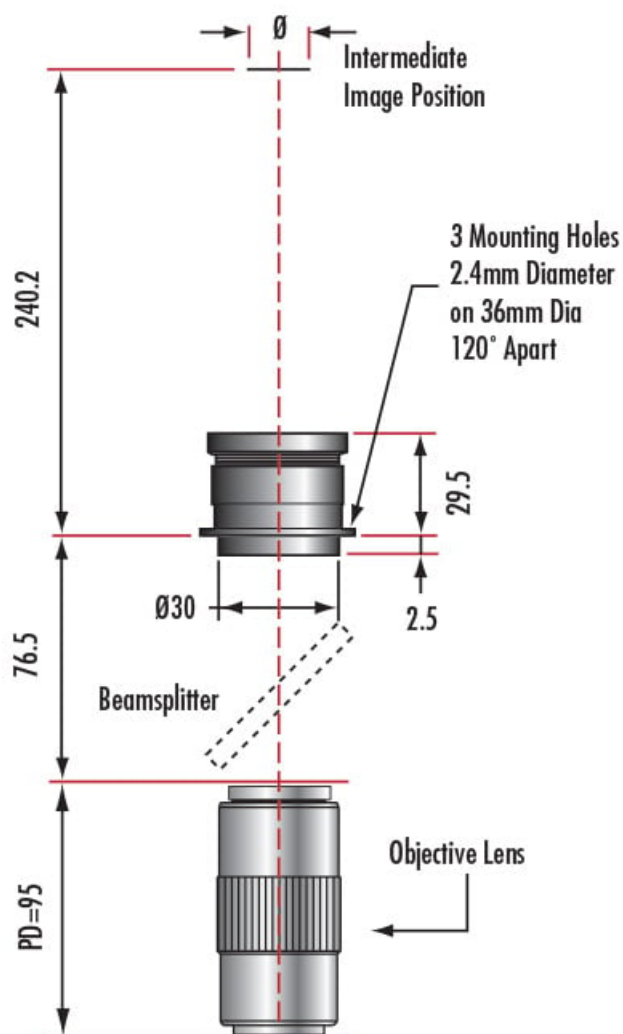
REACH 241:  
[Contains SVHC\(s\)](#)

## Product Details

- Creates an Image When Used With a Mitutoyo Objective
- Low Cost Alternative to [Mitutoyo VMU](#) and [FS-70 Microscopes](#)
- [Accessory Adapters](#) Available to Ease Integration with C-Mount Cameras

Mitutoyo Tube Lenses function as secondary lenses to form an image using any of the [Mitutoyo Infinity Corrected Objectives](#). They are economical alternatives to the [FS70 Microscope](#) or [Infinitube® In-line Assembly Unit](#). Several options are available, depending upon system requirements. The MT-4 and MT-40 are designed for end-user integration and can easily be used with any C-Mount camera with our Mitutoyo C-Mount Camera Extension Tube #56-992. Mitutoyo Tube Lenses MT-4 Tube Lens is recommended for use with Objectives from 1X to 20X magnification, while the MT-40 is recommended for use with Objectives with >20X magnification. The MT-1 Tube Lens permits the introduction of a beamsplitter to the imaging path, allowing for a custom in-line illumination system. The MT-2 Tube Lens is similar to the MT-1 but with an effective focal length of 400mm, providing twice the stated magnification for any of the Mitutoyo objectives. The MT-L and MT-L4 lenses are designed for the [M Plan NUV](#) and [M Plan UV](#) series of objectives, respectively. [NIR and zoom tube lenses](#) are also available through our line of Precision Zoom Lenses.

## Technical Information



MT-2 #56-863

