

[See all 10 Products in Family](#)

## Nikon 200mm Tube Lens

See More by [Nikon](#)



#58-520: Nikon 200mm Tube Lens

Stock **#58-520** **20+ In Stock**

⊖ 1 ⊕ €600<sup>00</sup>

**ADD TO CART**

Volume Pricing	
Qty 1+	€600,00 each
Need More?	<a href="#">Request Quote</a>

● Prices shown are exclusive of VAT/local taxes

### Product Downloads

### General

Type:  
Tube Lens

Manufacturer:  
Nikon

### Physical & Mechanical Properties

Length (mm):  
29.00

Maximum Diameter (mm):  
36.0

### Optical Properties

Focal Length FL (mm):

200.00

1X

Magnification:

400 - 700

Wavelength Range (nm):

26.5

Field Number (mm):

32.0

Entrance Pupil Diameter (mm):

### Threading & Mounting

M38 x 0.5

Mounting Threads:

### Regulatory Compliance

[Compliant](#)

RoHS 2015:

[View](#)

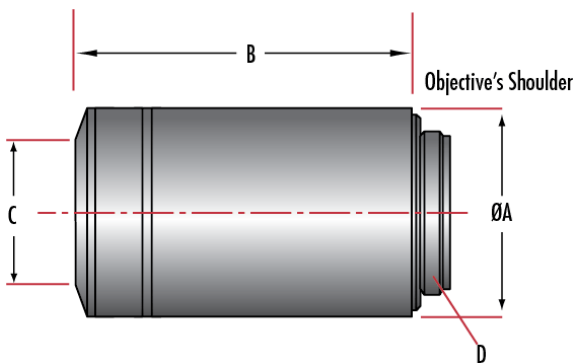
Certificate of Conformance:

## Product Details

- Superior UV Transmission
- High Numerical Aperture Designs
- Feature Low Auto-Fluorescence Materials

Nikon CFI Super Fluor Objectives are designed to provide superior transmission to ultraviolet applications operating down to 340nm, including for use with fluorochromes indo-1, fura-2, and fluo-3, or for photo-activation of caged compounds. Nikon CFI Super Fluor Objectives are designed using low auto-fluorescence materials along with high numerical apertures to guarantee sharp, bright fluorescence images. These microscope objectives have been optimized for improved signal-to-noise ratios at short wavelengths.

## Technical Information



Dimensions (mm)						
Stock No.	Magnification	Parafocal Length	A	B	C	D
<a href="#">#88-374</a>	4X	60.06	30.0	44.4	19.7	M25 x 0
<a href="#">#88-375</a>	10X	60.06	32.0	58.7	8.0	M25 x 0
<a href="#">#88-376</a>	20X	60.06	33.5	58.9	9.0	M25 x 0
<a href="#">#88-377</a>	40X	60.06	33.0	59.6	7.5	M25 x 0