

Olympus PLN 20X Objective

See More by [Olympus](#)



#86-814

Stock **#86-814** **3 In Stock**

⊖ 1 ⊕ €510⁰⁰

ADD TO CART

| Volume Pricing | |
|----------------|-------------------------------|
| Qty 1+ | €510,00 each |
| Need More? | Request Quote |

ⓘ Prices shown are exclusive of VAT/local taxes

Product Downloads

General

PLN20X **Model Number:**

Compatible Tube Lens Focal Length (mm):
Focal Length: 180mm

Microscope Objective **Type:**

Infinity Corrected **Style:**

Olympus **Manufacturer:**

Physical & Mechanical Properties

1.1 **Field of View (mm):**

43.70 **Length excluding Threads (mm):**

24 **Maximum Diameter (mm):**

112.0 **Weight (g):**

Optical Properties

0.17 **Compatible Cover Glass Thickness (mm):**

9.00 **Focal Length FL (mm):**

20X **Magnification:**

0.40 **Numerical Aperture NA:**

0.84 **Resolving Power (μm):**

1.72 **Depth of Field (μm):**

1.2 **Working Distance (mm):**

22 **Field Number (mm):**

45 **Parfocal Length (mm):**

N/A **Immersion Liquid:**

688 **Depth of Focus (μm):**

7.20 **Entrance Pupil Diameter (mm):**

Threading & Mounting

RMS / 20.32mm x 36 TPI **Mounting Threads:**

Regulatory Compliance

[Exempt](#) **RoHS 2015:**

[Contains SVHC\(s\)](#) **Reach 223:**

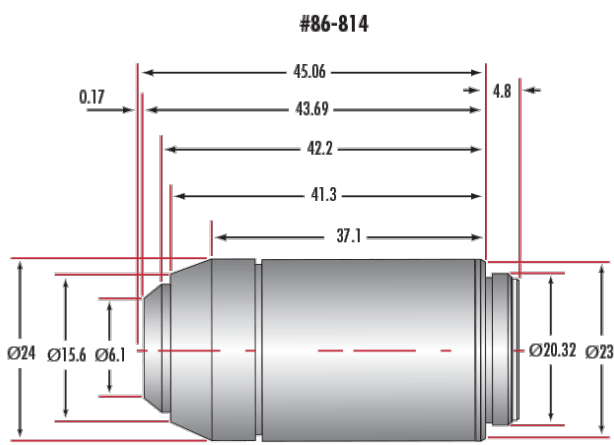
[View](#) **Certificate of Conformance:**

Product Details

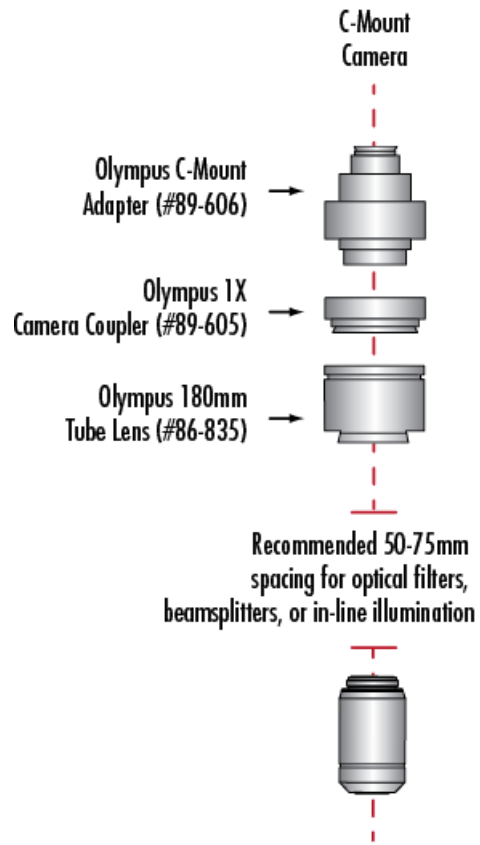
- Ideal for Brightfield, Darkfield, or Fluorescence Microscopy
- Excellent Price-to-Performance Ratio
- Suitable for Introductory and Advanced Optical Microscopy Applications
- Additional [Olympus Infinity Corrected Objectives](#) Available

Olympus Plan Achromatic Objectives are designed for clinical laboratory or examination applications. When using brightfield observation in a transmitted illumination system, Olympus Plan Achromatic Objectives provide excellent field flatness of up to F.N.22.

Technical Information



**Using Olympus Objectives
with C-Mount Cameras**



| | Stock # | A | B | C | D | E | F | G |
|----------|------------------------|------|-----|-----|------|------|------|-----|
| PLN 2X | 16-879 | 39.1 | 3.4 | 0.0 | 16.8 | 16.8 | 24.0 | 4.5 |
| PLN 4X | 86-812 | 26.4 | 4.4 | 0.0 | 15.8 | 15.8 | 24.0 | 4.5 |
| PLN 10X | 86-813 | 34.3 | 4.1 | 1.6 | 10.5 | 16.0 | 24.0 | 4.5 |
| PLN 20X | 86-814 | 43.7 | 4.2 | 2.4 | 6.1 | 15.6 | 24.0 | 4.8 |
| PLN 40X | 86-815 | 44.3 | 4.2 | 3.0 | 7.5 | 15.6 | 24.0 | 4.5 |
| PLN 100X | 86-816 | 44.7 | 4.2 | 2.5 | 6.6 | 15.6 | 24.0 | 4.5 |