

[See all 14 Products in Family](#)

Olympus PLN 4X Objective

See More by [Olympus](#)



Olympus PLN 4X Objective

Stock **#86-812** [CONTACT US](#)

⊖ 1 ⊕ €165⁰⁰

ADD TO CART

Volume Pricing	
Qty 1+	€165,00 each
Need More?	Request Quote

ⓘ Prices shown are exclusive of VAT/local taxes

Product Downloads

General

Model Number:
PLN4X

Compatible Tube Lens Focal Length (mm):
Focal Length: 180mm

Type:
Microscope Objective

Style:
Infinity Corrected

Olympus
Manufacturer:

Physical & Mechanical Properties

5.5 Field of View (mm):

26.40 Length excluding Threads (mm):

24 Maximum Diameter (mm):

77.5 Weight (g):

Optical Properties

N/A Compatible Cover Glass Thickness (mm):

45.00 Focal Length FL (mm):

4X Magnification:

0.10 Numerical Aperture NA:

3.36 Resolving Power (μm):

27.50 Depth of Field (μm):

18.5 Working Distance (mm):

22 Field Number (mm):

45 Parfocal Length (mm):

N/A Immersion Liquid:

440 Depth of Focus (μm):

9.00 Entrance Pupil Diameter (mm):

Threading & Mounting

RMS / 20.32mm x 36 TPI Mounting Threads:

Regulatory Compliance

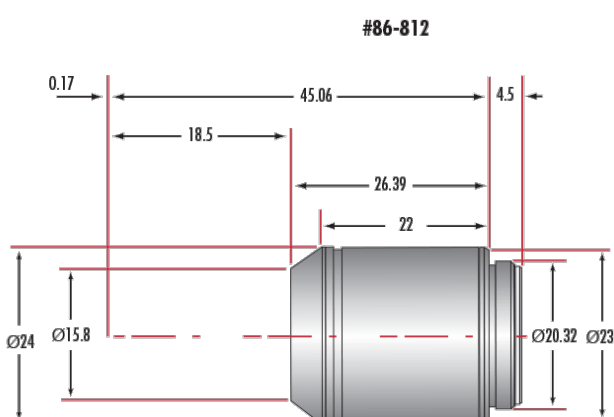
[View](#) Certificate of Conformance:

Product Details

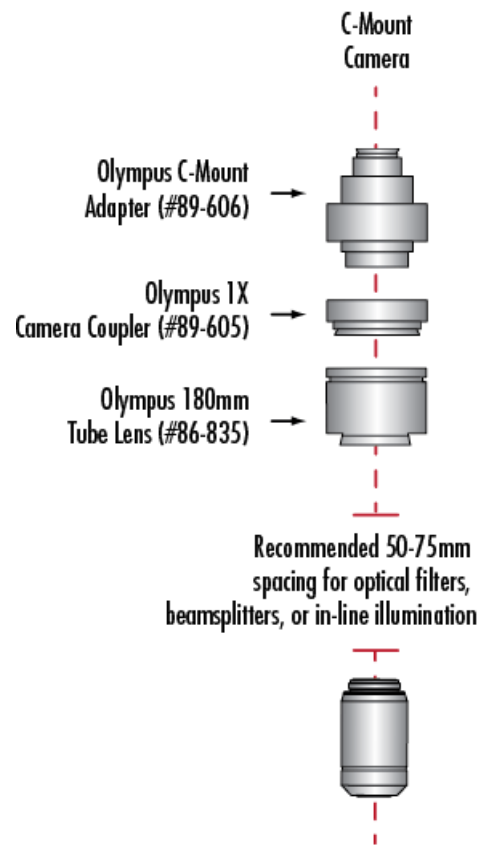
- Ideal for Brightfield, Darkfield, or Fluorescence Microscopy
- Excellent Price-to-Performance Ratio
- Suitable for Introductory and Advanced Optical Microscopy Applications
- Additional [Olympus Infinity Corrected Objectives](#) Available

Olympus Plan Achromatic Objectives are designed for clinical laboratory or examination applications. When using brightfield observation in a transmitted illumination system, Olympus Plan Achromatic Objectives provide excellent field flatness of up to F.N.22.

Technical Information



Using Olympus Objectives with C-Mount Cameras



	Stock #	A	B	C	D	E	F	G
PLN 2X	16-879	39.1	3.4	0.0	16.8	16.8	24.0	4.5
PLN 4X	86-812	26.4	4.4	0.0	15.8	15.8	24.0	4.5
PLN 10X	86-813	34.3	4.1	1.6	10.5	16.0	24.0	4.5
PLN 20X	86-814	43.7	4.2	2.4	6.1	15.6	24.0	4.8
PLN 40X	86-815	44.3	4.2	3.0	7.5	15.6	24.0	4.5
PLN 100X	86-816	44.7	4.2	2.5	6.6	15.6	24.0	4.5