

[See all 10 Products in Family](#)

Olympus SLMPLN 50X Objective

See More by [Olympus](#)



#86-826



Stock **#86-825** 2 In Stock

⊖ 1 ⊕ €4.640⁰⁰

ADD TO CART

Volume Pricing

Qty 1+	€4.640,00 each
Need More?	Request Quote

ⓘ Prices shown are exclusive of VAT/local taxes

Product Downloads

General

Model Number:
SLMPLN50X

Compatible Tube Lens Focal Length (mm):
Focal Length: 180mm

Type:
Microscope Objective

Infinity Corrected **Style:**

Olympus **Manufacturer:**

Physical & Mechanical Properties

0.53 **Field of View (mm):**

27.00 **Length excluding Threads (mm):**

26 **Maximum Diameter (mm):**

74 **Weight (g):**

Optical Properties

N/A **Compatible Cover Glass Thickness (mm):**

3.60 **Focal Length FL (mm):**

50X **Magnification:**

0.35 **Numerical Aperture NA:**

T> 90 from 400-700nm **Transmission (%):**

0.96 **Resolving Power (μm):**

2.24 **Depth of Field (μm):**

18.0 **Working Distance (mm):**

400 - 700 **Wavelength Range (nm):**

26.5 **Field Number (mm):**

45 **Parfocal Length (mm):**

N/A **Immersion Liquid:**

2.52 **Entrance Pupil Diameter (mm):**

Threading & Mounting

RMS / 20.32mm x 36 TPI **Mounting Threads:**

Regulatory Compliance

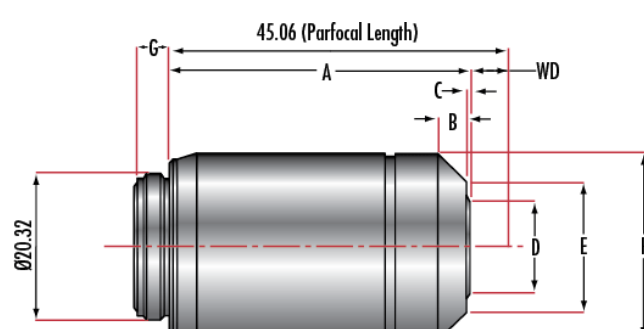
[View](#) **Certificate of Conformance:**

Product Details

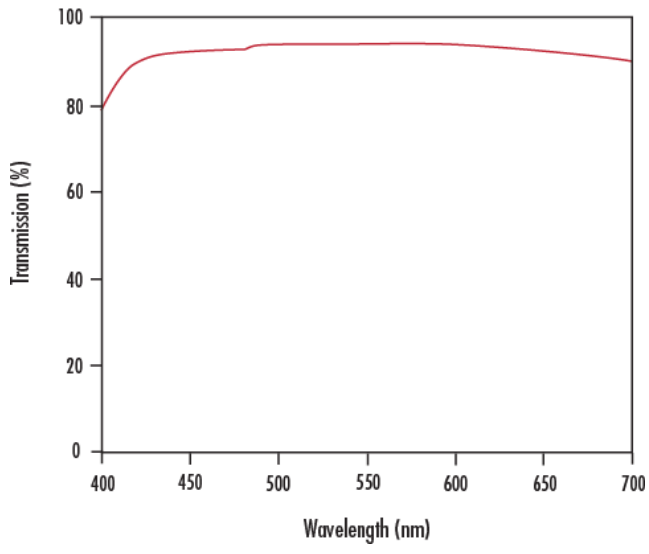
- Ideal for Brightfield Microscopy
- Ultra-Long Working Distances Reduce Risk of Specimen Damage
- Over 90% Transmission from 400 – 700nm
- Additional [Olympus Infinity Corrected Objectives](#) Available

Olympus Super Long WD MPlan Achromat Infinity Corrected Objectives are ideal for electronic assembly, semiconductor inspection, or other flat field inspection applications where resolution is critical. Olympus Super Long WD MPlan Achromat Infinity Corrected Objectives provide excellent performance, ultra-long working distances, and superior image clarity.

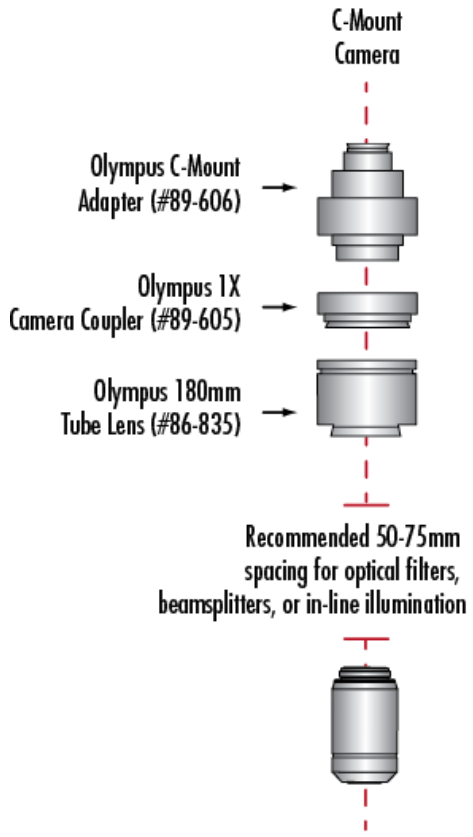
Technical Information



Typical Transmission



Using Olympus Objectives with C-Mount Cameras



Stock #ABCDEFG

Model	Part Number	20.0	0.5	0.2	16.1	25.0	26.0	4.9
SLMPLN 20X	86-824							
SLMPLN 50X	86-825							
SLMPLN 100X	86-826							

