

Olympus UPLFLN 40X Objective

See More by [Olympus](#)



Olympus UPLFLN 40X Objective

Stock **#86-820** **4 In Stock**

⊖ 1 ⊕ €1.431⁰⁰

ADD TO CART

Volume Pricing	
Qty 1+	€1.431,00 each
Need More?	Request Quote

ⓘ Prices shown are exclusive of VAT/local taxes

Product Downloads

SPECIFICATIONS

General

Model Number:

1-U2B5272

Compatible Tube Lens Focal Length (mm):

Focal Length: 180mm

Microscope Objective	Type:
Infinity Corrected	Style:
Olympus	Manufacturer:
Physical & Mechanical Properties	
0.66	Field of View (mm):
44.40	Length excluding Threads (mm):
26	Maximum Diameter (mm):
118	Weight (g):
Optical Properties	
0.17	Compatible Cover Glass Thickness (mm):
4.50	Focal Length FL (mm):
40X	Magnification:
0.75	Numerical Aperture NA:
0.45	Resolving Power (μm):
0.49	Depth of Field (μm):
0.51	Working Distance (mm):
380 - 900	Wavelength Range (nm):
26.5	Field Number (mm):
45	Parfocal Length (mm):
N/A	Immersion Liquid:
Threading & Mounting	
RMS / 20.32mm x 36 TPI	Mounting Threads:
Regulatory Compliance	
Exempt	RoHS 2015:
View	Certificate of Conformance:
Contains SVHC(s)	Reach 247:

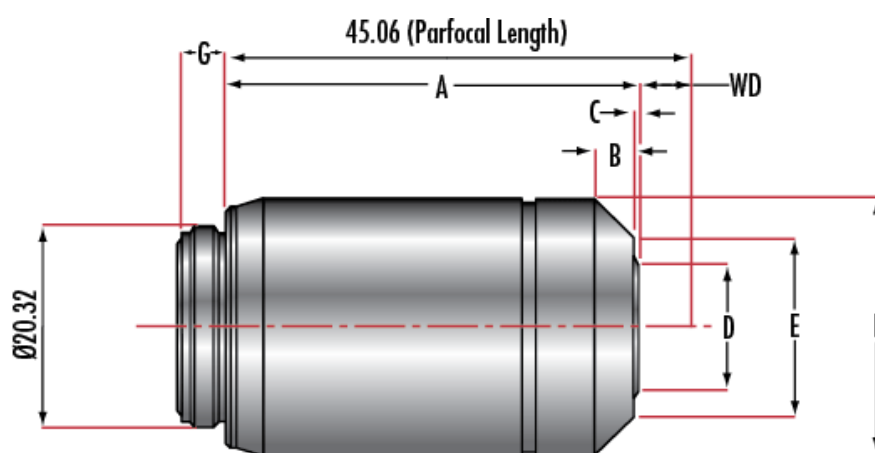
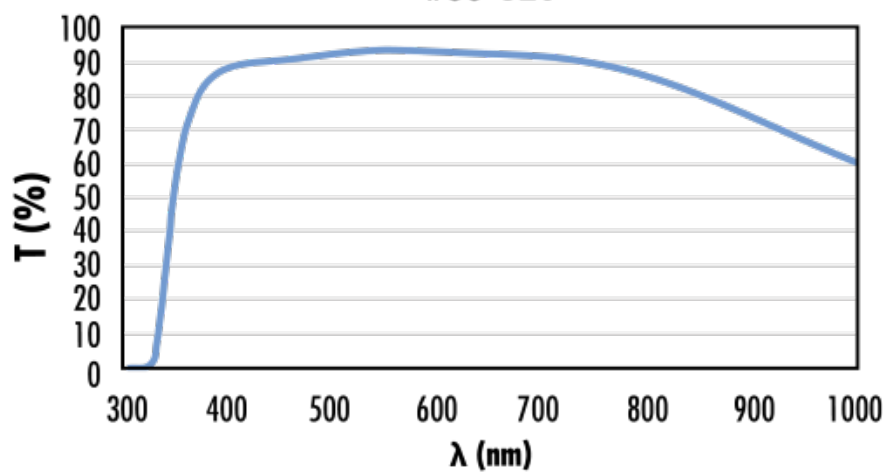
PRODUCT DETAILS

- Ideal for Brightfield, Darkfield, DIC, Fluorescence, or Polarization Microscopy
- Excellent Transmission in the UV
- High Numerical Apertures and Oil Immersion Options Available
- Additional [Olympus Infinity Corrected Objectives](#) Available

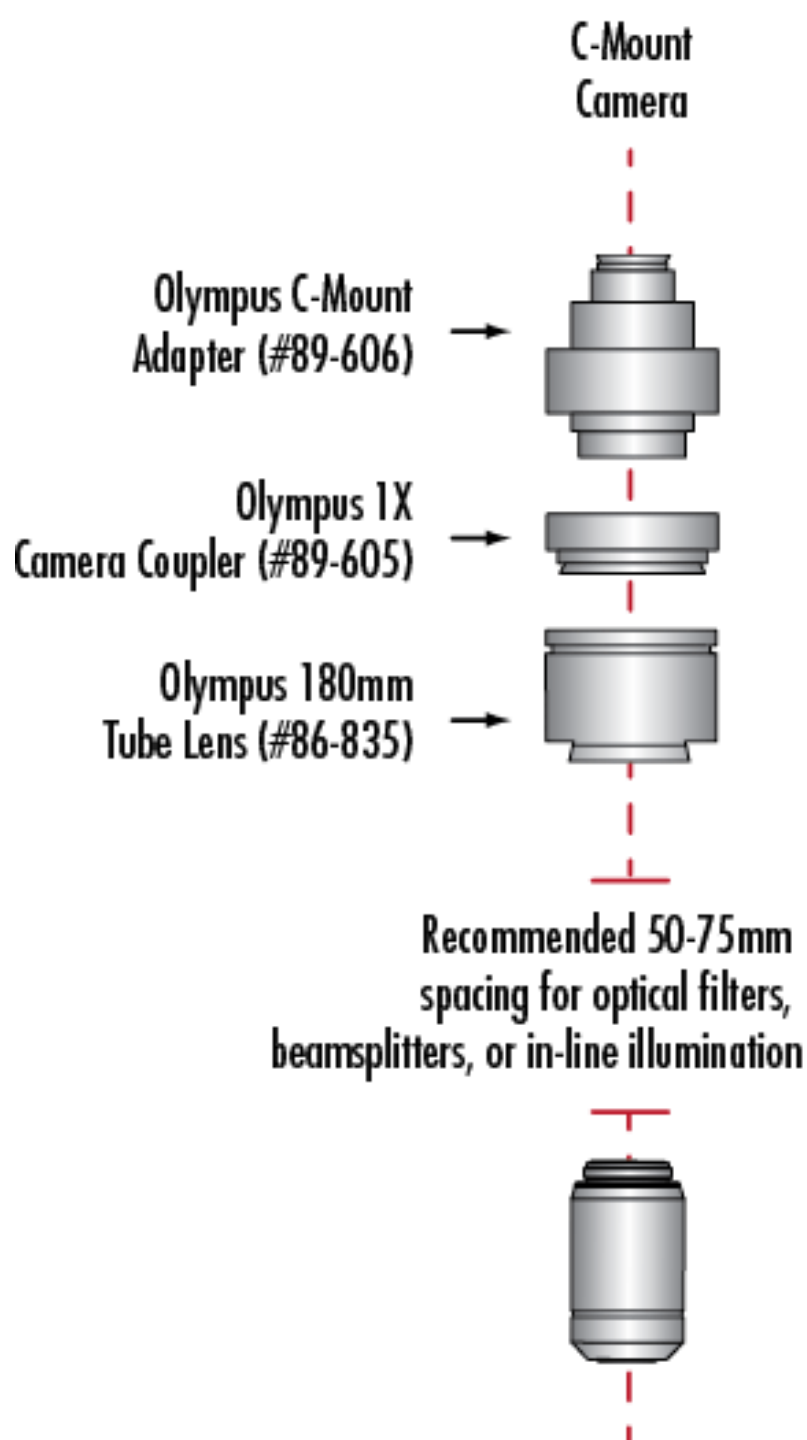
Olympus Plan Fluorite Objectives are multi-purpose objectives that utilize advanced multi-coatings to provide excellent flat field images from the UV to NIR. The objectives offer high signal-to-noise ratios, excellent resolution, and high contrast imaging capability. These objectives are ideal for brightfield microscopy or Nomarski differential interference contrast (DIC) observations, in addition to darkfield or fluorescence microscopy, or specific polarization techniques. Olympus Plan Fluorite Objectives are available in 4X up to 100X magnification. High Numerical Apertures and Oil Immersion options are available. Additional [Olympus Infinity Corrected Objectives](#) are also offered.

TECHNICAL INFORMATION

#86-820



Using Olympus Objectives with C-Mount Cameras



	Stock #	A	B	C	D	E	F	G
UPLFLN 4X	86-817	27.9	2.8	0.0	18.0	18.0	24.0	4.5
UPLFLN 10X	86-818	34.9	10.1	0.0	13.6	13.6	24.0	4.5
UPLFLN 20X	86-819	42.8	5.3	2.3	9.4	15.8	26.0	4.5

UPLFLN 40X	86-820	44.4	5.1	4.0	8.5	16.0	26.0	4.5
UPLFLN 60X	86-822	44.7	5.2	2.7	8.6	17.0	29.0	4.7
UPLFLN 100X(Oil Immersion)	86-823	44.7	5.5	3.0	7.0	17.2	28.0	4.5

