

Quartz Wollaston Polarizer



Stock #68-820 **2 In Stock**

- 1 + €755.⁰⁰

ADD TO CART

Volume Pricing	
Qty 1+	€755,00 each
Need More?	Request Quote

ⓘ Prices shown are exclusive of VAT/local taxes

Product Downloads

General

Linear Polarizer Type:

Physical & Mechanical Properties

10.0 Clear Aperture CA (mm):

25.40 Diameter (mm):

28.00 Length (mm):

Dimensional Tolerance (mm):
+0.0/-0.2

Construction:
Crystalline Wollaston Polarizer

Length Tolerance (mm):
±0.1

Housing:
Black Anodized Aluminum

Optical Properties

Extinction Ratio:
20,000:1

Substrate: □
Quartz

Surface Quality:
20-10

Transmitted Wavefront, P-V:
λ/4 @ 632.8nm

Beam Deviation (arcmin):
<3

Beam Separation (°):
2 - 3
2±0.1 @ 1064nm

Wavelength Range (nm):
200 - 2300

Damage Threshold, By Design: □
10 J/cm² @ 1064nm, 20ns

Separation Angle (°):
2 - 3 (2±0.1@1064nm)

Regulatory Compliance

Certificate of Conformance:
[View](#)

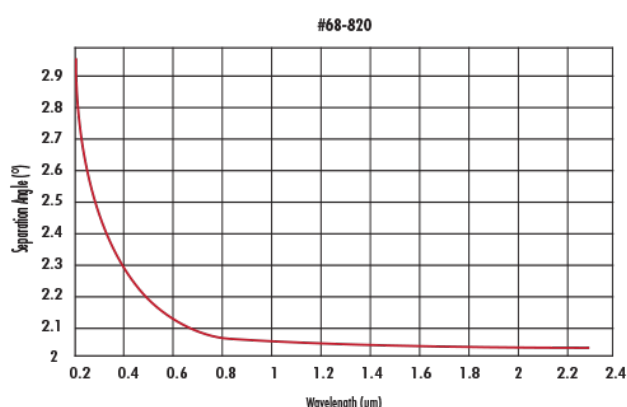
Product Details

- Multiple Polarization Materials Available
- UV to IR Ranges Offered
- Large Deviation of Ordinary and Extraordinary Rays
- [Rochon Polarizers](#) Also Available

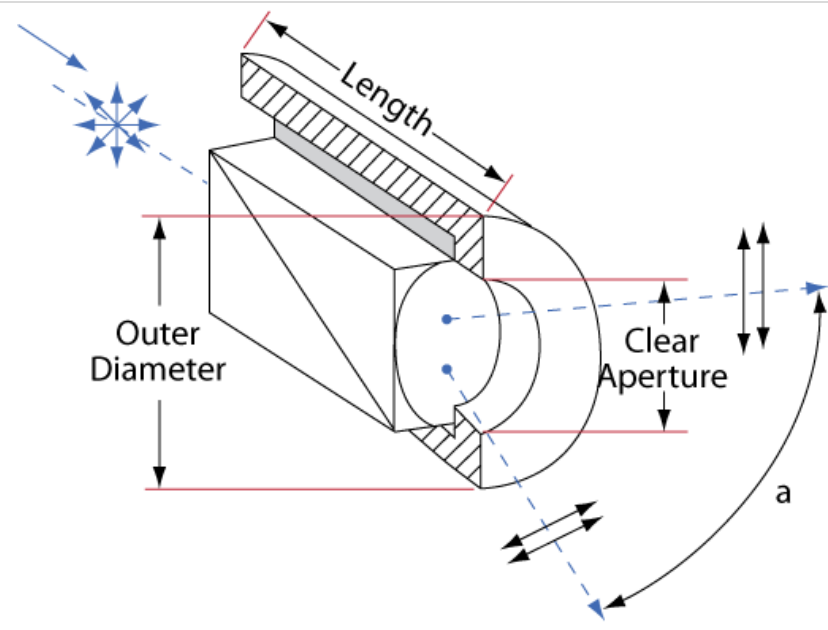
Wollaston Polarizers consist of two birefringent right angle prisms cemented together, such that their optical axes are perpendicular. As light passes through the polarizer, a symmetric deviation between the ordinary and extraordinary beams is created. The resulting beams are of orthogonal linear polarization states and have equal intensity and a large angular deviation. Users have access to both the ordinary and extraordinary rays, making them ideal for laboratory experiments.

LASER OPTICS MADE BY EDMUND OPTICS® [LEARN MORE](#)

Technical Information



Stock No.	Outer Diameter	Clear Aperture	Length	Separation Angle α (°)
#68-820	25.4mm	10.0mm	28.0mm	2 - 3 (2 @ 1064nm)
#68-821	25.4mm	10.0mm	18.0mm	16.7 - 22.5 (19 @ 980nm)
#68-822	25.4mm	10.0mm	18.0mm	19.6 - 23.3 (20 @ 1550nm)
#68-823	25.4mm	10.0mm	18.0mm	15 - 27 (16 @ 800nm)



;