

**TECHSPEC® Replacement 2X - 3X Adapter for #88-387**



#89-409: Replacement 2X - 3X Adapter for #88-387



Stock **#89-409** **9 In Stock**

⊖ 1 ⊕ €57<sup>00</sup>

**ADD TO CART**

| Volume Pricing |                               |
|----------------|-------------------------------|
| Qty 1+         | €57,50 each                   |
| Need More?     | <a href="#">Request Quote</a> |

ⓘ Prices shown are exclusive of VAT/local taxes

Product Downloads

**General**

Lens Accessory **Type:**

**Regulatory Compliance**

[View](#) **Certificate of Conformance:**

## Product Details

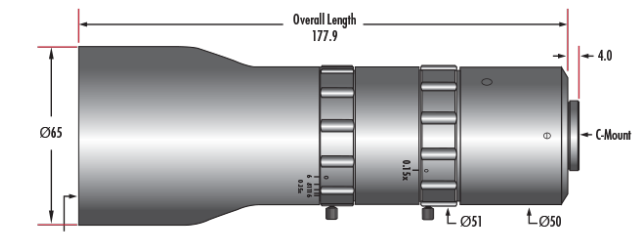
- Variable Magnification Telecentric Lens
- Up to 5 MegaPixels, 3.45µm Pixel Size Sensors
- 2/3", C-Mount Telecentric Lens
- Magnification from 0.15X to 3X

TECHSPEC® VariMagTL™ Telecentric Lenses are designed for applications that may require constant adjustment of a system's field of view. Each lens provides a range of magnifications that users can adjust or lock down with a set screw. With coverage for up to 2/3" format sensors, these telecentric lenses feature compact, C-mount compatible designs for easy system integration. TECHSPEC VariMagTL™ Telecentric Lenses also include an adjustable iris to control light throughput and improve image quality. These lenses are ideal for use in semiconductor or electronics inspection and [factory automation](#) applications.

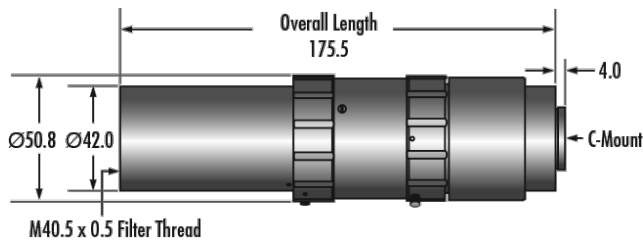
These lenses won the [Silver Level 2015 Innovators Award](#).

**Note:** Customized fixed versions are also available to meet volume requirements. Please contact [technical support](#) to discuss your specific requirements.

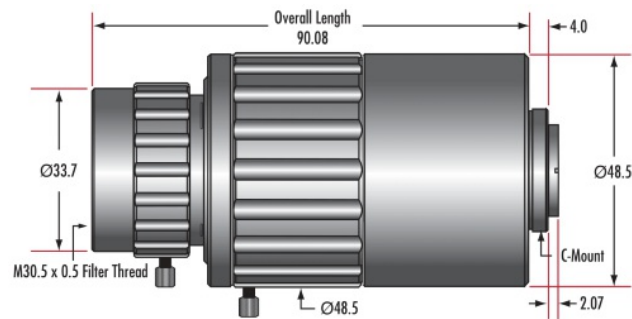
## Technical Information



0.25X - 0.5X Telecentric VariMagTL™ Lens (#88-385)



0.5X - 1.0X Telecentric VariMagTL™ Lens (#88-386)



1.0X - 3.0X Telecentric VariMagTL™ Lens (#88-387)

| 0.25X-0.50X Telecentric Lens, <a href="#">#88-385</a> |       |       |       |       |       |       |
|---|-------|-------|-------|-------|-------|-------|
| Magnification   | 0.25X | 0.30X | 0.35X | 0.40X | 0.45X | 0.50X |
| Working Distance (mm)                                 | 145   | 124.5 | 112   | 104   | 100.2 | 100.1 |
| Field of View (mm)*                                   | 35.2  | 29.3  | 25.1  | 22    | 19.6  | 17.6  |
| 0.5X - 1.0X Telecentric Lens, <a href="#">#88-386</a> |       |       |       |       |       |       |
| Magnification   | 0.5X  | 0.6X  | 0.7X  | 0.8X  | 0.9X  | 1.0X  |
| Working Distance (mm)                                 | 115   | 106   | 102   | 100   | 100   | 100   |
| Field of View (mm)*                                   | 17.6  | 14.67 | 12.6  | 11    | 9.78  | 8.8   |
| 1.0X - 3.0X Telecentric Lens, <a href="#">#88-387</a> |       |       |       |       |       |       |
| Magnification   | 1.0X  | 1.5X  | 2.0X  | 2.5X  | 3.0X  |       |
| Working Distance (mm)                                 | 71.6  | 61    | 55.6  | 52.4  | 50.3  |       |
| Field of View (mm)*                                   | 8.8   | 5.87  | 4.4   | 3.5   | 2.93  |       |