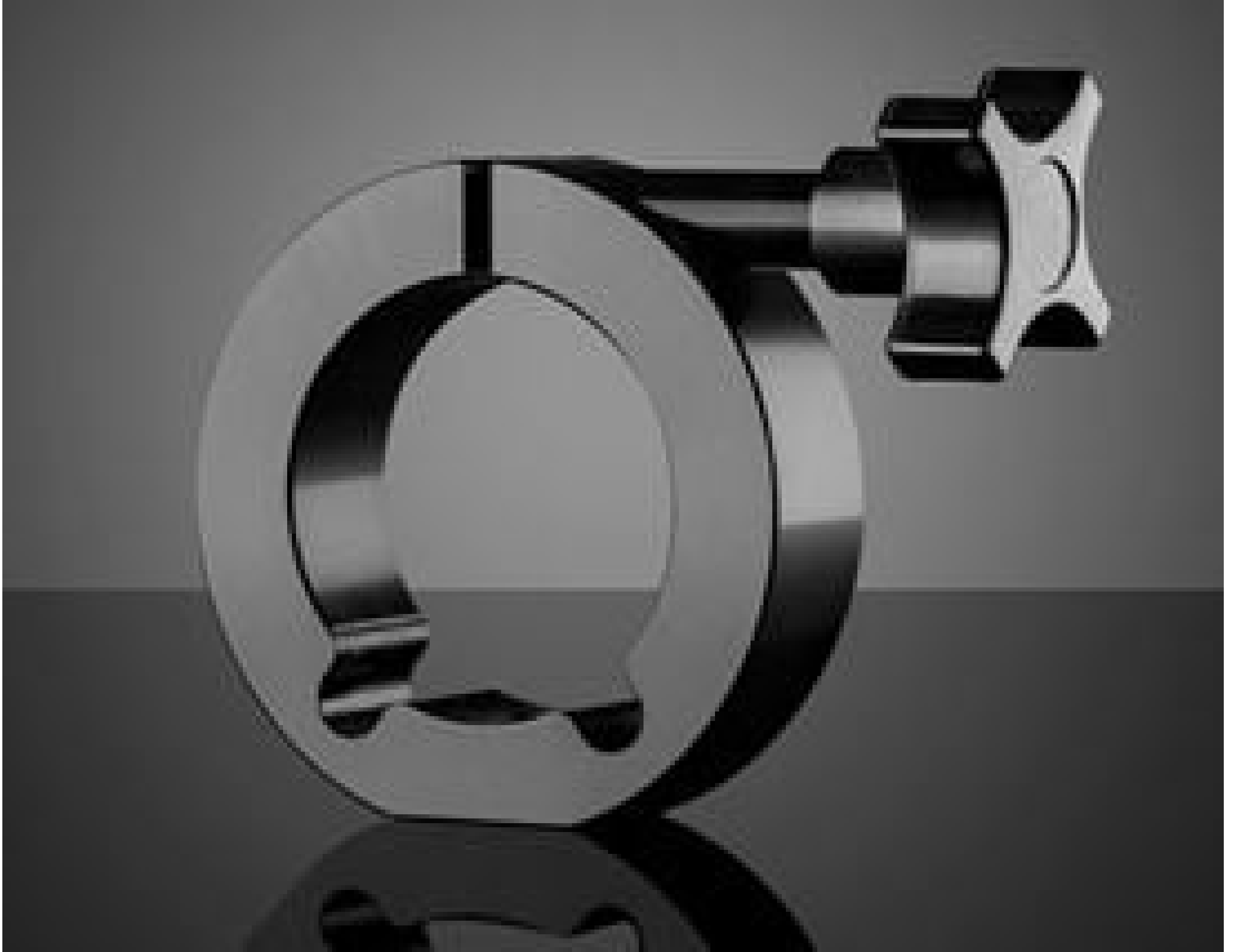


[See all 22 Products in Family](#)

Replacement Mounting Clamp

See More by [Infinity Photo-Optical Company](#)



Replacement Mounting Clamp, #85-400

Stock **#85-400** **1 In Stock**

1 €119⁰⁰

ADD TO CART

Volume Pricing	
Qty 1+	€119,00 each
Need More?	Request Quote

! Prices shown are exclusive of VAT/local taxes

Product Downloads

General

Lens Accessory **Type:**

Regulatory Compliance

Compliant **RoHS 2015:**

Compliant **Reach 224:**

Product Details

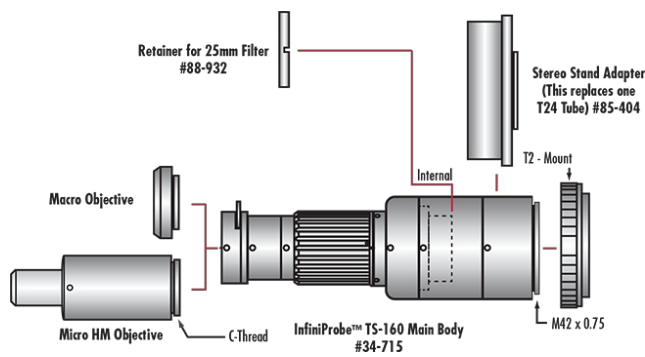
- High Resolution Design for up to 35mm Sensors
- 0X–4X Macro and 4X–16X Micro Configurations
- Internally Focuses from 18mm to Infinity

The InfiniProbe™ TS-160 Universal Macro/Micro System is a universal lens system that redefines on-the-go adaptability. The InfiniProbe™ TS-160 Universal Macro/Micro System is designed to transform almost any machine vision, scientific-grade, or DSLR camera into an ultra-portable, continuously-focusable microscope that is ideal for forensic, industrial, or biological applications such as entomological microscopy. Additionally, the TS-160 is optimized for up to 35mm sensors and is compatible with CS, C, T, and F-mount cameras. To maximize adaptability, the TS-160 can internally focus from 18mm to infinity and internally accept any 25mm filter. When not being used in the field, the TS-160 can be mounted to stands or fixtures for use in the lab. InfiniLight™ adapters are available for mounting popular brand-name flash units directly onto the TS-160.

Note: InfiniProbe TS-160 includes a macro objective. Micro HM Objective (#16-114) sold separately.

The InfiniProbe™ TS-160 Universal Macro/Micro System also features an integrated adjustable iris diaphragm to provide depth of field and aperture control. Similar to the iris in a microscope's condenser, the TS-160's variable iris also allows for user control of contrast. After focusing, the variable iris is used to set the point in which contrast and resolution appear best matched. To control depth of field, adjust the distance between the lens and the object.

Technical Information

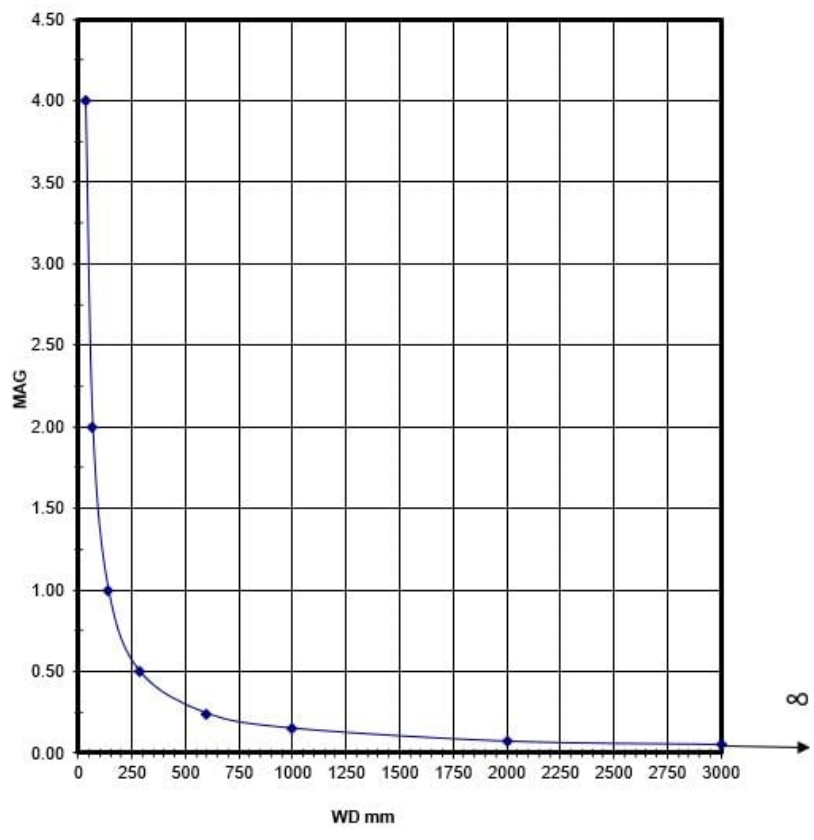


Objective Magnification (all cover 35mm Sensor)

Macro (One T24 Tube)			Micro (One T24 Tube)		
WD (mm)	Magnification	FOV (mm)*	WD (mm)	Magnification	FOV (mm)*
32	4.00X	9.0	18	16.00X	2.25
66	2.00X	18.0	22	8.00X	4.5
139	1.00X	36.0	28	4.00X	9.0
284	0.50X	72.0	48	2.00X	18.0
600	0.24X	150	85	1.00X	36.0
1000	0.15X	240	155	0.50X	72.0
2000	0.07X	514	300	0.25X	144
3000	0.05X	720	600	0.12X	300
			1000	0.07X	514
			2000	0.04X	900
			3000	0.02X	1800

*FOV based on 35mm format (36mm horizontally). For formats other than 35mm: Divide magnification into the sensor's horizontal dimension. For example, 17.3mm x 13mm Sensor: 17.3mm/4x = 4.3mm & 13mm/4x = 3.3mm FOV.

TS-160 with Macro Objective



TS-160 with Micro Objective

