

[See all 10 Products in Family](#)

Video Lens - Infinimax Main Body

See More by [Infinity Photo-Optical Company](#)



#56-013 + #86-888

Stock **#56-013** [CONTACT US](#)

⊖ 1 ⊕ €3.535⁰⁰

ADD TO CART

Volume Pricing

Qty 1+	€3.535,00 each
Need More?	Request Quote

ⓘ Prices shown are exclusive of VAT/local taxes

Product Downloads

General

Long Distance Microscope **Type:**

Optical Properties

Objective Required **Primary Magnification PMAG:**

Sensor

Maximum Sensor Format:

Threading & Mounting

C-Mount **Mount:**

Regulatory Compliance

Compliant **RoHS 2015:**

Compliant **Reach 224:**

View **Certificate of Conformance:**

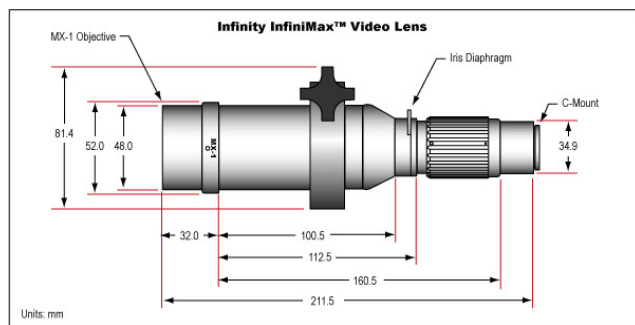
Product Details

- Manual Iris
- Objective Options Giving PMAG 0.58X – 2.9X
- Clamp offers 1/4-20 mounting hole
- Optional **LDL** Tubes Double Magnification
- Requires the Use of an MX Objective

InfiniMax™ is the newest addition to Infinity Photo-Optical's line of imaging lenses designed specifically for machine vision applications. Using a patented internal focusing system, the InfiniMax™ is able to provide constant magnification over a working distance range. (Using MX-3 through MX-6 objectives only. Working distance range varies by objective.) The MX-1 and MX-2 provide fields of view on the order of 10mm at distances over 10" away, but do not provide constant magnification over the working distance range. The included variable iris diaphragm can be used to adjust light intensity and increase depth of field. Interchangeable objectives thread onto main body. **LDL** and **LFA** adapters connect directly to C-Mount. LFA provides coverage for large format cameras (F-Mount adapter included, 24 x 36mm max sensor).

Note: The InfiniMax® requires the use of an MX objective below.

Technical Information



Objective	MX-1	MX-2	MX-3	MX-4	MX-5	MX-6
Primary Magnification	0.58 - 0.64X	0.78 - 0.81X	1.00X	1.16X	1.42X	2.90X
Field of View (1/2" Sensor Horiz.)	11.1 - 10.1mm	8.2 - 7.9mm	6.4mm	5.5mm	4.5mm	2.2mm
Working Distance	381 - 315mm	285 - 250mm	194 - 174mm	181 - 164mm	146 - 134mm	68 - 65mm
Size (Max Diameter x L)	52 x 32mm	52 x 32mm	52 x 64mm	52 x 32mm	52 x 32mm	52 x 26.2mm