

[See all 15 Products in Family](#)

## Zeiss Microscope Stand Adapter

See More by [Infinity Photo-Optical Company](#)



PRODUCT PHOTO  
COMING SOON

Stock #33-153 [CONTACT US](#)

- 1 + €321<sup>00</sup>

[ADD TO CART](#)

### Volume Pricing

Qty 1+	€321,00 each
Need More?	<a href="#">Request Quote</a>

! Prices shown are exclusive of VAT/local taxes

### Product Downloads

### Regulatory Compliance

[Compliant](#)

RoHS 2015:

[Compliant](#)

Reach 224:

[View](#)

Certificate of Conformance:

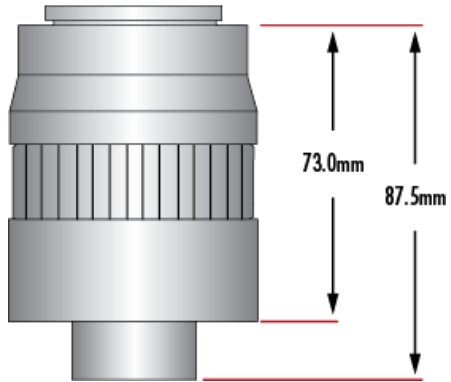
## Product Details

- Enable Dynamic Optical Focusing and Reduce Spherical Aberration
- Compatible With All Infinity Corrected Objectives
- Color Matched for Major Brand Objectives

InFocus™ Dynamic Optical Focusing Systems are used with microscopes to enable dynamic optical focusing, and drastically reduce the spherical aberration caused by the sample's cover glass thickness or suspension fluid. These dynamic optical focusing systems eliminate the need for correction collars and expensive motorized computer activation. InFocus™ Dynamic Optical Focusing Systems allows micromanipulation of the microscope, and can be integrated with any infinity corrected objectives. Variations in magnification are minimal over the range of focal translation. InFocus™ Dynamic Optical Focusing System modules are color corrected for Mitutoyo, Achrovid, Zeiss, Leica, Nikon, or Olympus objectives and can be connected to most major brand microscopes using a series of stand adapters (sold separately).

## Technical Information

#33-137 &  
#33-138



#33-139

